



**BUILDING CODE COMPLIANCE OFFICE (BCCO)
PRODUCT CONTROL DIVISION**

**MIAMI-DADE COUNTY, FLORIDA
METRO-DADE FLAGLER BUILDING
140 WEST FLAGLER STREET, SUITE 1603
MIAMI, FLORIDA 33130-1563
(305) 375-2901 FAX (305) 375-2908**

NOTICE OF ACCEPTANCE (NOA)

**Industrial Millwork, Inc.
West Highway 36
Seneca, KS 66538**

SCOPE:

This NOA is being issued under the applicable rules and regulations governing the use of construction materials. The documentation submitted has been reviewed by Miami-Dade County Product Control Division and accepted by the Board of Rules and Appeals (BORA) to be used in Miami Dade County and other areas where allowed by the Authority Having Jurisdiction (AHJ).

This NOA shall not be valid after the expiration date stated below. The Miami-Dade County Product Control Division (In Miami Dade County) and/or the AHJ (in areas other than Miami Dade County) reserve the right to have this product or material tested for quality assurance purposes. If this product or material fails to perform in the accepted manner, the manufacturer will incur the expense of such testing and the AHJ may immediately revoke, modify, or suspend the use of such product or material within their jurisdiction. BORA reserves the right to revoke this acceptance, if it is determined by Miami-Dade County Product Control Division that this product or material fails to meet the requirements of the applicable building code.

This product is approved as described herein, and has been designed to comply with the High Velocity Hurricane Zone of the Florida Building Code.

DESCRIPTION: Series 1000 8' 0" Glazed & Opaque Outswing Wood Door - Impact

APPROVAL DOCUMENT: Drawing No. LAG316, titled "Series 1000 Wood Doors", sheets 1 through 9 of 9, prepared by Bromley – Cook Engineering, Inc., dated 02/25/02, with revision #3 dated 07/15/02, signed and sealed by William D. Cook, P.E., bearing the Miami-Dade County Product Control Approval stamp with the Notice of Acceptance number and approval date by the Miami-Dade County Product Control Division.

MISSILE IMPACT RATING: Large and Small Missile Impact

LABELING: Each unit shall bear a permanent label with the manufacturer's name or logo, city, state and following statement: "Miami-Dade County Product Control Approved", unless otherwise noted herein.

RENEWAL of this NOA shall be considered after a renewal application has been filed and there has been no change in the applicable building code negatively affecting the performance of this product.

TERMINATION of this NOA will occur after the expiration date or if there has been a revision or change in the materials, use, and/or manufacture of the product or process. Misuse of this NOA as an endorsement of any product, for sales, advertising or any other purposes shall automatically terminate this NOA. Failure to comply with any section of this NOA shall be cause for termination and removal of NOA.

ADVERTISEMENT: The NOA number preceded by the words Miami-Dade County, Florida, and followed by the expiration date may be displayed in advertising literature. If any portion of the NOA is displayed, then it shall be done in its entirety.

INSPECTION: A copy of this entire NOA shall be provided to the user by the manufacturer or its distributors and shall be available for inspection at the job site at the request of the Building Official.

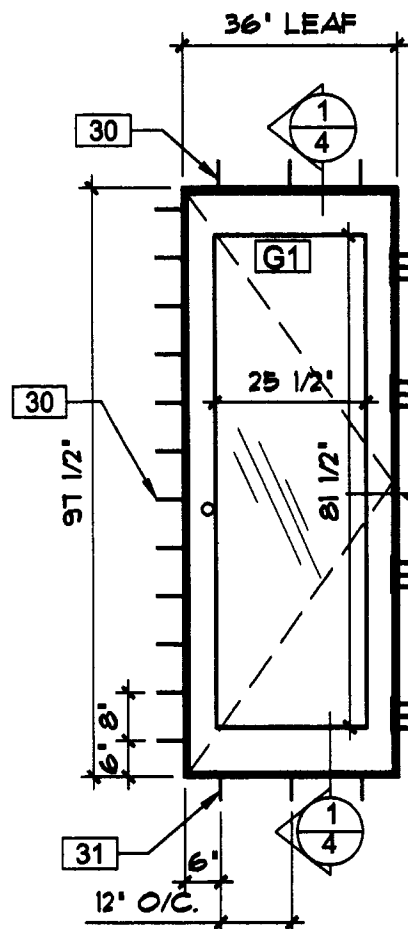
This NOA consists of this page 1 as well as approval document mentioned above.

The submitted documentation was reviewed by **Manuel Perez, P.E.**

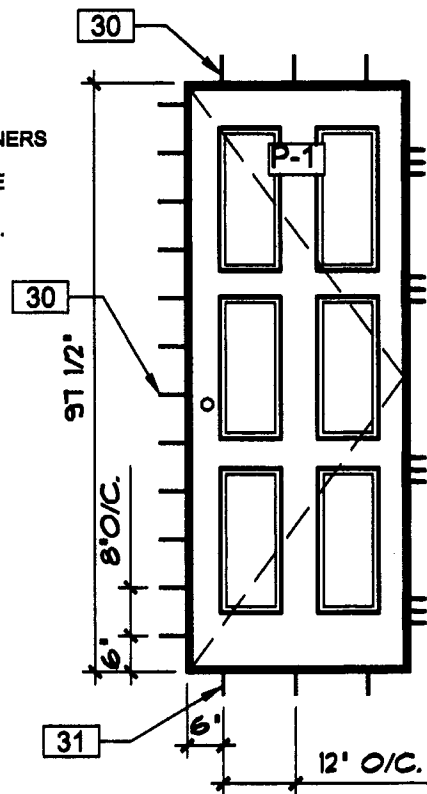


**NOA No 02-0307.02
Expiration Date: August 15, 2007
Approval Date: August 15, 2002
Page 1**

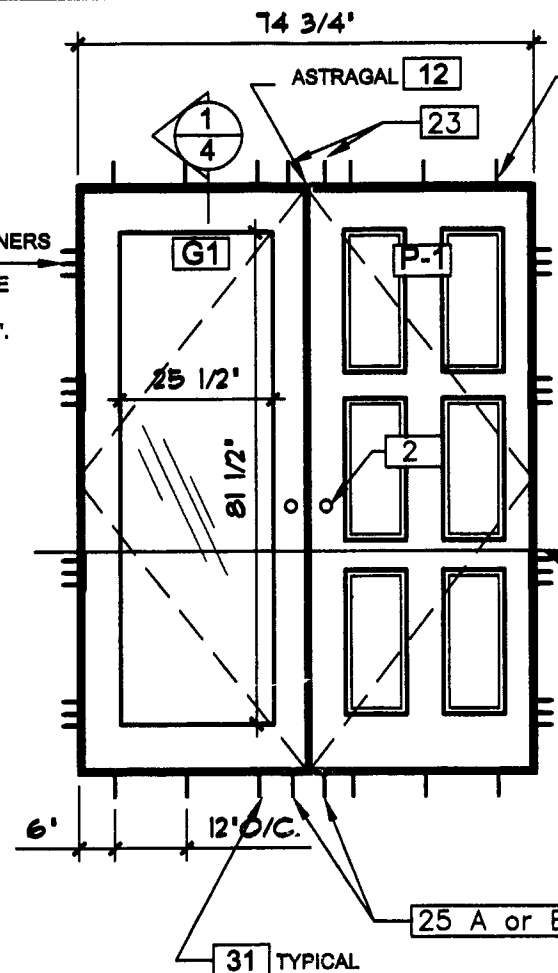
SERIES 1000 WOOD DOORS



GLAZED

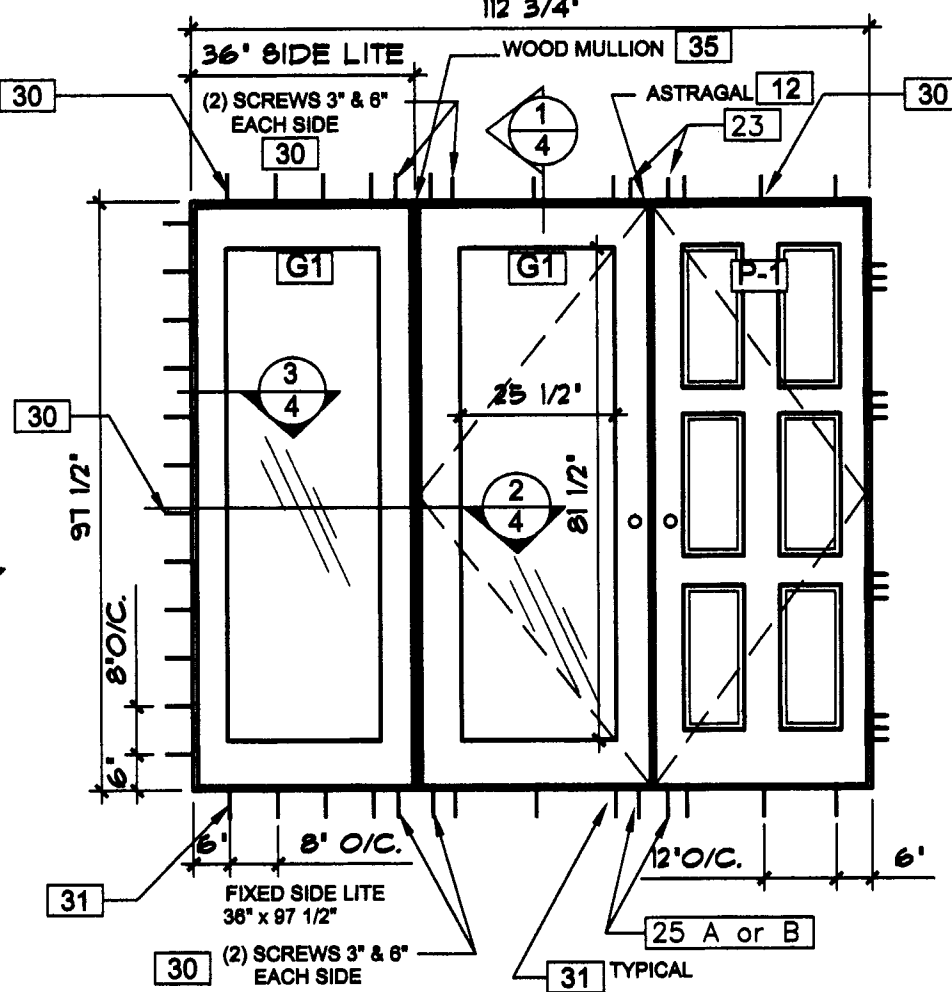


SOLID PANEL



TYPICAL MULTIPLE UNIT CONFIGURATIONS VIEWED FROM EXTERIOR

NOTE: FOR FIXED DOOR UNITS, (NON-OPERABLE) ANCHOR DOOR LEAFS TO FRAME AS PER SIDELITE INSTALLATION



TYPICAL SINGLE LEAF DOORS VIEWED FROM EXTERIOR

GENERAL NOTES:

1. THIS DOOR SYSTEM HAS BEEN TESTED, ANALYZED AND APPROVED FOR DESIGN PRESSURES NOT TO EXCEED THOSE SHOWN IN THE DESIGN LOAD TABLES.
2. BUCK, OPENINGS & BUCK FASTENERS MUST BE DESIGNED & INSTALLED TO WITHSTAND WIND LOADS FOR EACH APPLICATION.
3. BUCK FASTENERS MAY NOT EXCEED 18" O.C. SPACING AROUND OPENINGS.
4. ALL HARDWARE & FASTENERS SHALL BE IN ACCORDANCE WITH THESE DRAWINGS & MAY NOT VARY UNLESS SPECIFICALLY MENTIONED ON THE DRAWINGS.
5. THE DETAILS & SPECIFICATIONS SHOWN HEREIN REPRESENT THE PRODUCTS TESTED FOR WATER, AIR, IMPACT, CYCLIC & UNIFORM STATIC AIR PRESSURE TESTING IN CONFORMANCE WITH DADE COUNTY PROTOCOLS PA-201, 202 & 203.
6. ALL JAMB TO BUCK FASTENERS MUST PENETRATE THE BUCK A MINIMUM OF 1 1/4". IF PENETRATION IS LESS THAN 1 1/4", SCREW LENGTH SHALL BE INCREASED AS REQUIRED.
7. THESE GLASS DOOR SYSTEMS HAVE BEEN DESIGNED IN ACCORDANCE WITH THE 2001 FLORIDA BUILDING CODE

DOOR PANEL GLAZING OPTIONS	
G1	<p>LARGE MISSILE IMPACT</p> <p>3/8" GLASSLAM SAFETY-PLUS LAMINATED GLASS 1/8" AN-0.08 POLYESTER RESIN-0.01P.E.T.- 0.08 POLYESTER RESIN-1/8"AN MAX DLO: 25 1/2" x 81 1/2"</p>
P1	<p>LARGE MISSILE IMPACT</p> <p>RAISED WOOD PANEL - MAHOGANY 1 1/2" THICK @ CENTER 5/8" THICK @ EDGES</p>
REFER TO SHEETS 7 & 8 FOR PANEL OPTIONS	

ALLOWABLE WIND PRESSURE FOR IMPACT DOORS
STANDARD HARDWARE DOOR G-U CREMONA 5 POINT LOCK
DESIGN PRESSURE +75 psf -75 psf WATER TEST PRESSURE 11.85 psf

Approved as complying with the Florida Building Code
 Date: Aug. 15, 2002
 NOA# 02-0307.02
 Miami Dade Product Control
 Division
 By: *[Signature]*

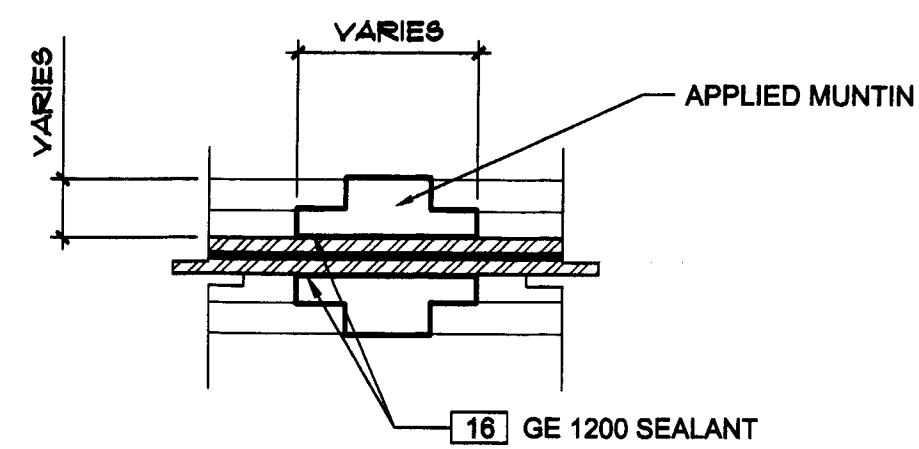
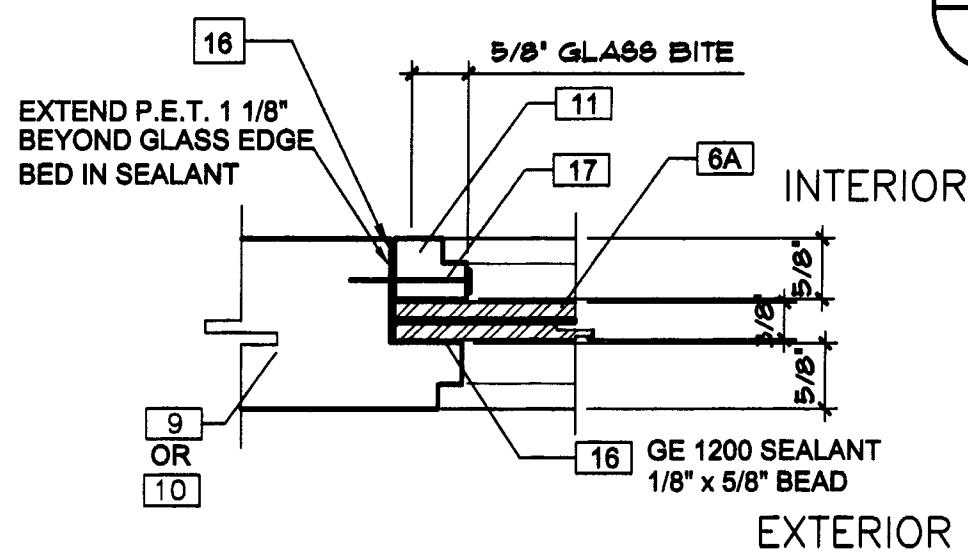
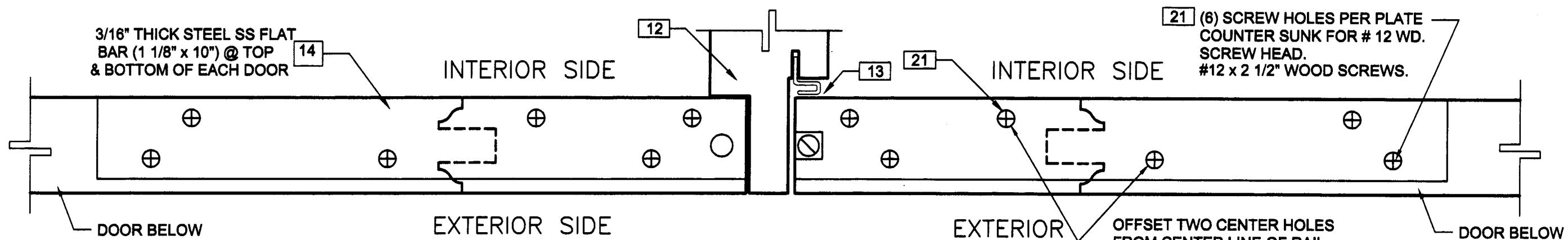
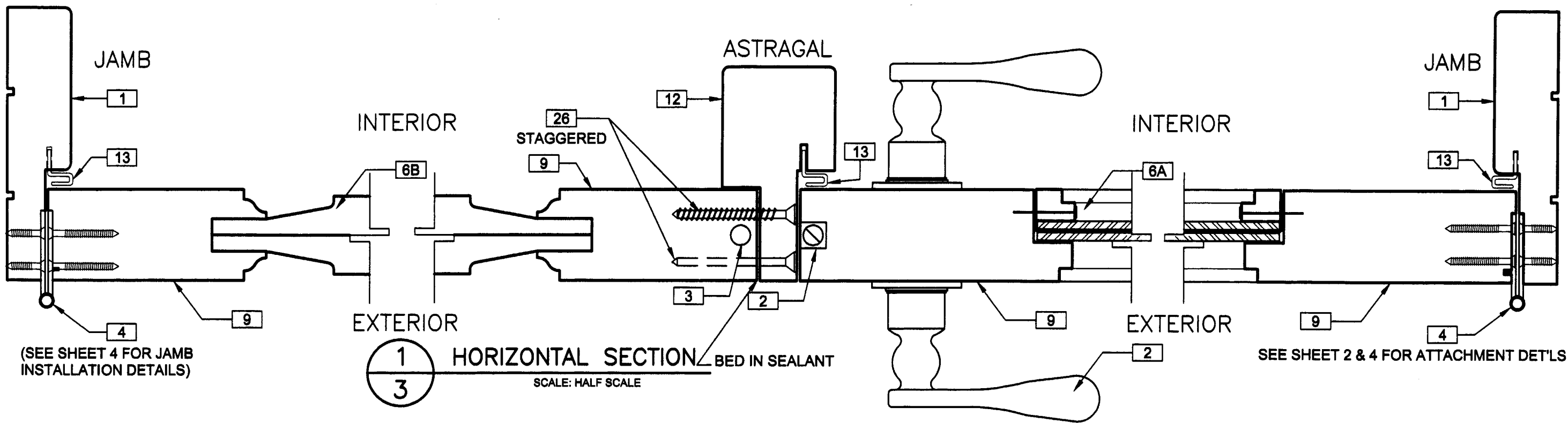
NO.	REVISION DESCRIPTION	BY	DATE
1	GENERAL REVISIONS	G.R.	02/21/02
2	GENERAL REVISIONS	G.R.	06/07/02
3	GENERAL REVISIONS	G.R.	07/15/02

DRAWING TITLE	SERIES 1000 WOOD DOORS
MANUFACTURER	LAG DESIGN INDUSTRIAL MILLWORK CORP WEST HWY 36 SENECA, KS 66538 (800)462-3667

BROMLEY - COOK ENGINEERING, INC.	STRUCTURAL ENGINEERING SERVICES
2004 N.E. 48th STREET FORT LAUDERDALE, FL 33308	PHONE: (954) 772-4624 FAX: (954) 772-4634

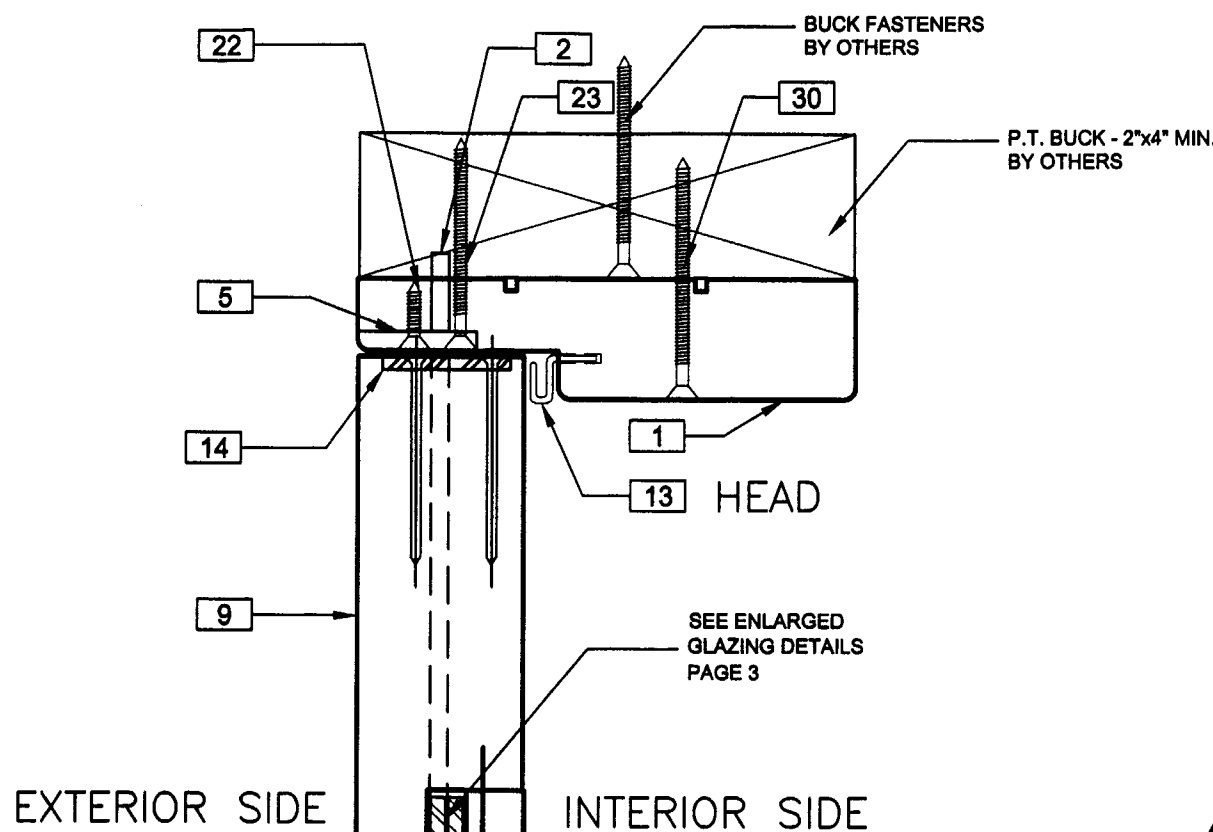
CERTIFICATION	WILLIAM D. COOK, P.E. FLA. P.E. NO. 43904
---------------	--

DATE:	02/25/02
DRAWING NO.:	LAG316
SHEET NO.:	1 OF 9

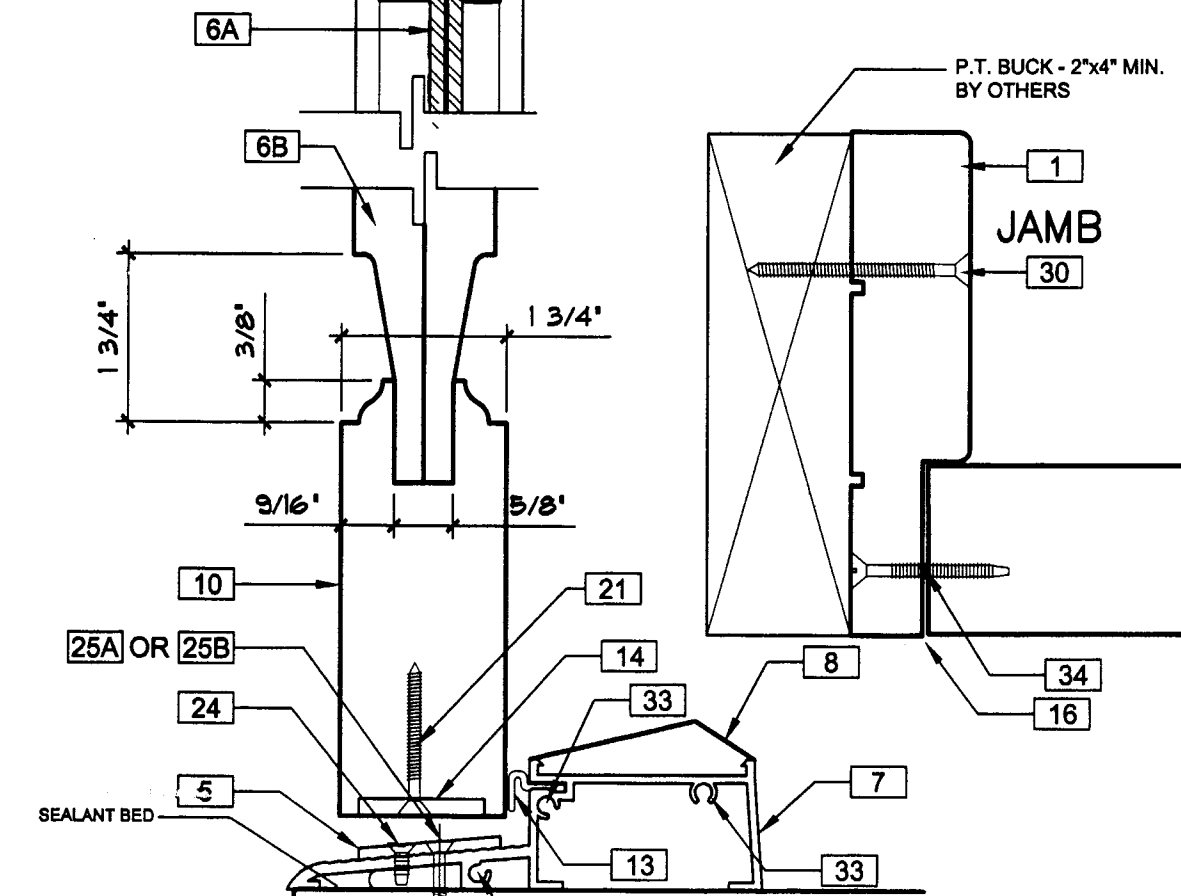


Approved as complying with the Florida Building Code
Date AUG. 15, 2002
NOA# 02-0307.02
Miami Dade Product Control Division
By Manuel Diaz

NO.	2	REVISION DESCRIPTION	BY	DATE
	3	GENERAL REVISIONS	G.R.	06/07/02
		GENERAL REVISIONS	G.R.	07/15/02
DRAWING TITLE				
SERIES 1000 WOOD DOORS				
MANUFACTURER				
LAG DESIGN				
INDUSTRIAL MILLWORK CORP				
WEST HWAY 36 SENECA, KS 66538				
(800)462-3667				
BROMLEY - COOK ENGINEERS, INC.				
CONSULTING ENGINEERS				
2004 N.E. 46th STREET				
FORT LAUDERDALE, FL 33306				
PHONE: (954) 772-4624 FAX: (954) 772-4634				
CERTIFICATION	2002 JUL 17 11:01 AM			
	WILLIAM D. COOK, P.E.			
	FLA. P.E. NO. 43804			
DATE: 02/27/02				
DRAWING NO: LAG316				
SHEET NO: 3 OF 9				

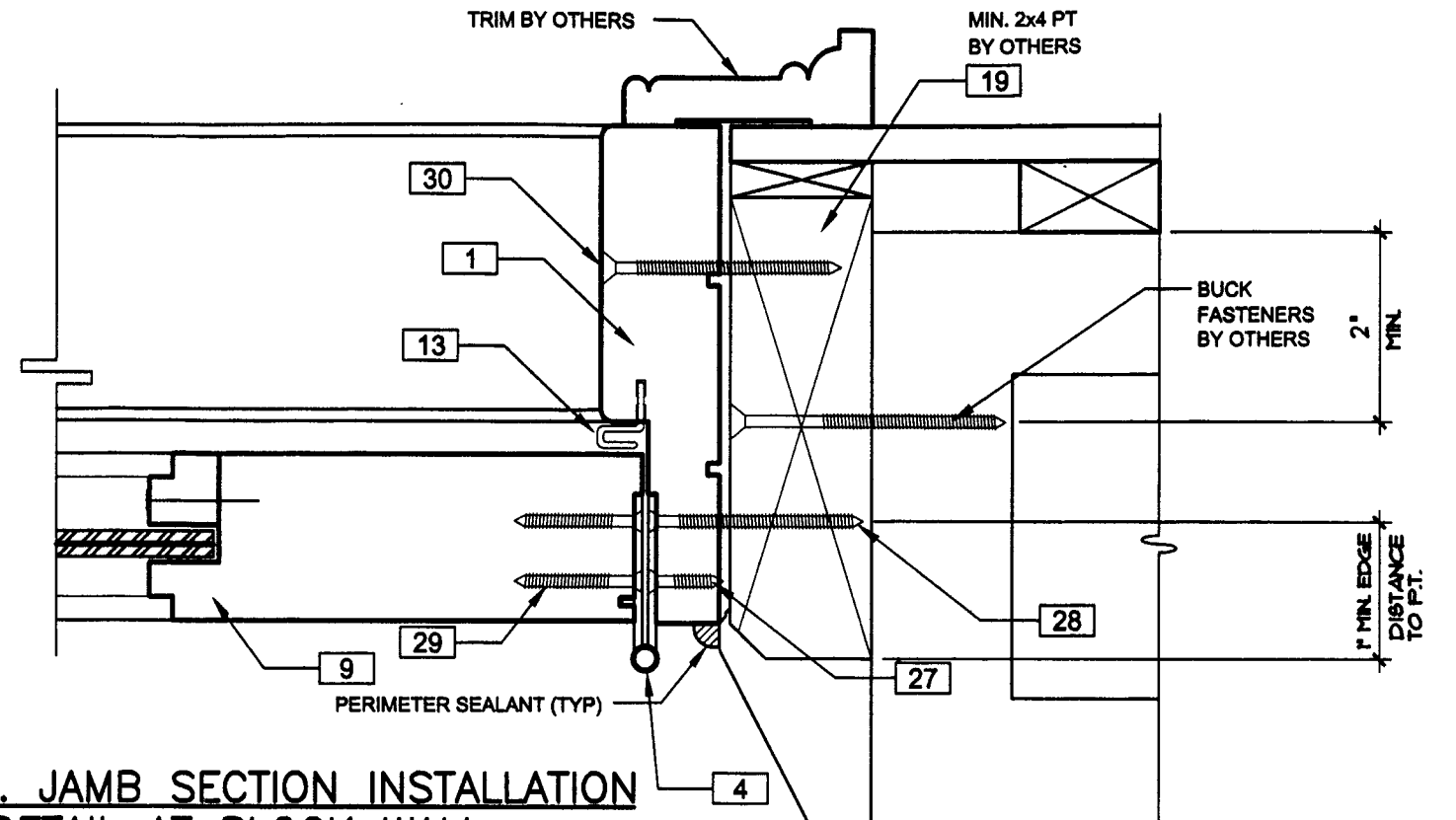


1
4 TYP. THRESHOLD SECTION INSTALLATION
DETAIL @ CONCRETE SILL
SCALE: HALF SCALE



2
4 SECTION @ FIXED SIDE LITE

3
4 TYP. JAMB SECTION INSTALLATION
DETAIL AT BLOCK WALL
SCALE: HALF SCALE

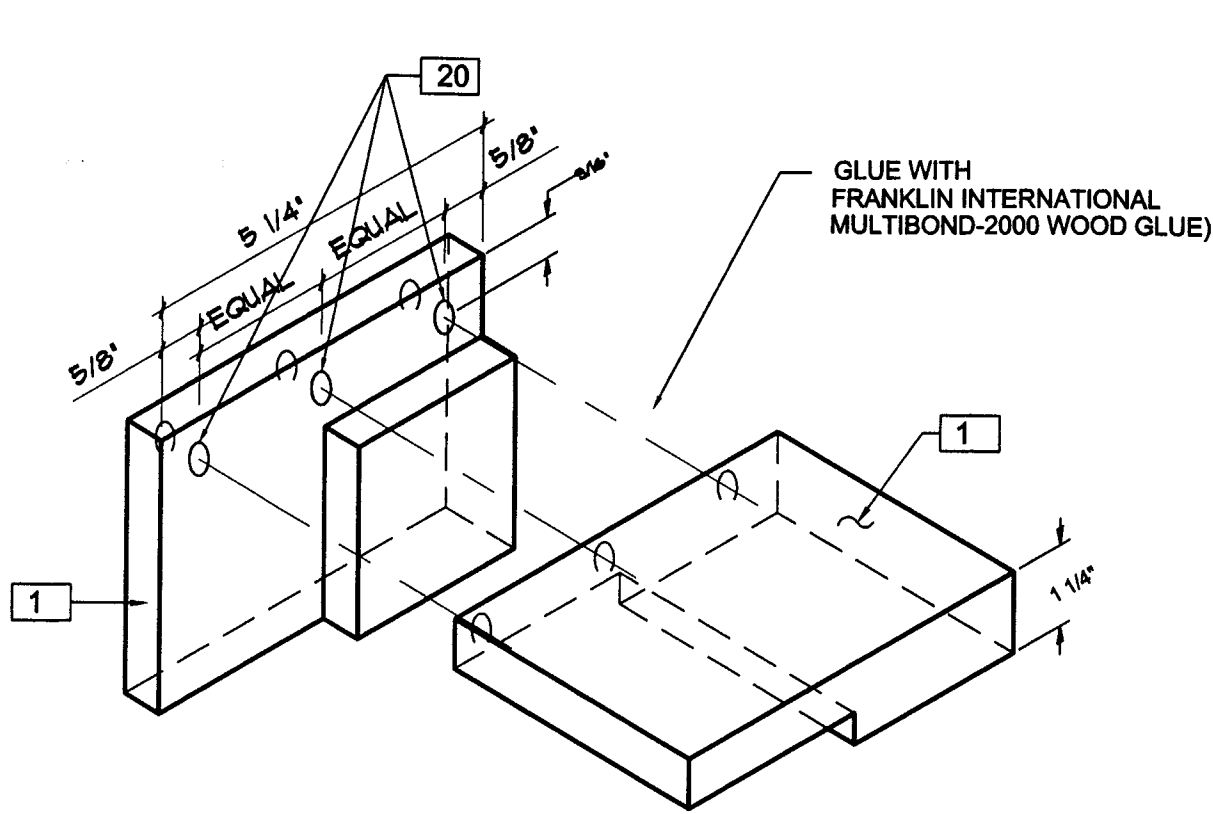


NOTE:
SEE GLASS DETAIL
SHEET 3 - TYPICAL
6" from
ends @
8" o.c.

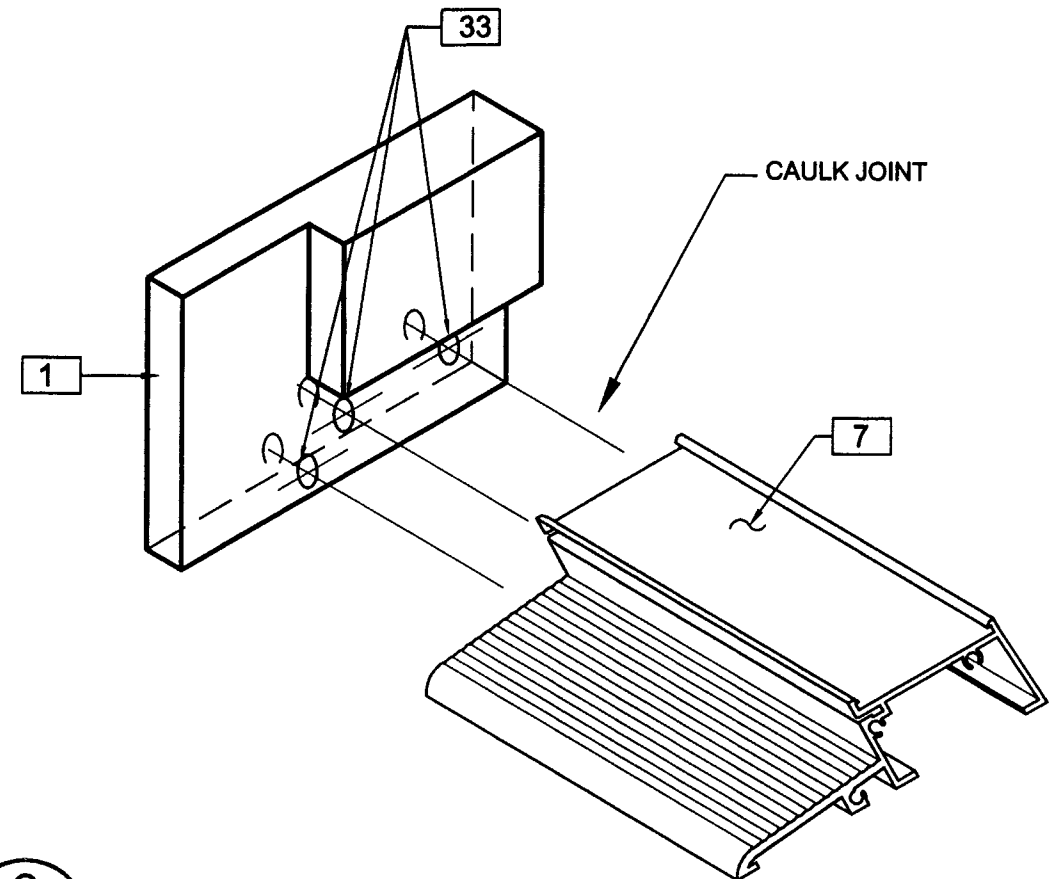
TWO #28 and
ONE #30 at each
hinge location

REVISION DESCRIPTION	NO.	2	3
	BY	G.R.	G.R.
	DATE	06/07/02	07/15/02
DRAWING TITLE	SERIES 1000 WOOD ENTRY DOORS		
MANUFACTURER	INDUSTRIAL MILLWORK CORP WEST HWY 36 SENECA, KS 66538 (800)462-3667		
DESIGNER	LAG DESIGN		
ENGINEER	BROMLEY - COOK ENGINEERING, INC. CONSULTING ENGINEERS 2004 N.E. 48th STREET FORT LAUDERDALE, FL 33308 PHONE: (954) 772-4624 FAX: (954) 772-4624		
CERTIFICATION	WILLIAM D. COOK, P.E. FLA. P.E. NO. 43904		
DATE	02/27/02		
DRAWING NO.	LAG316		
SHEET NO.	4 OF 9		

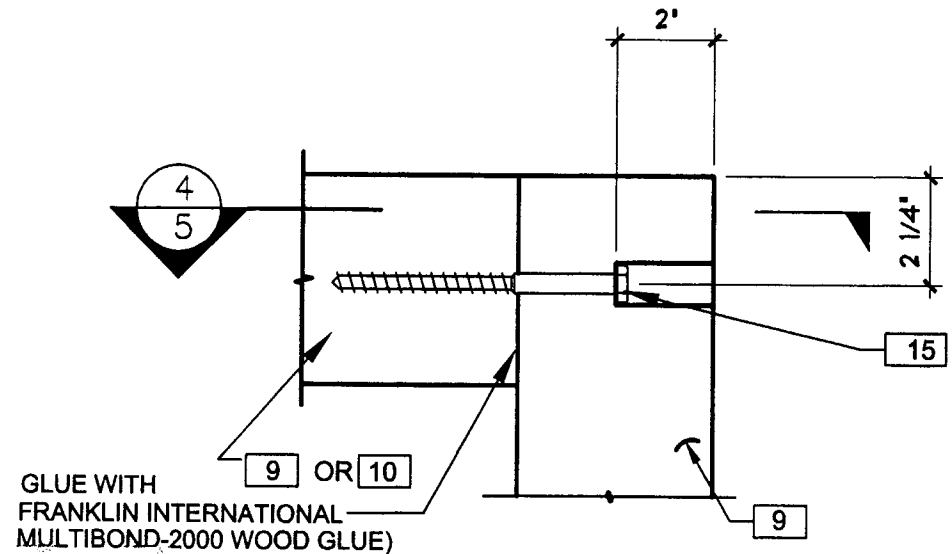
Approved as complying with the
Florida Building Code
Date: Aug. 15, 2002
NOA# 02-0307-02
Miami Dade Product Control
Division
By: *Manuel*



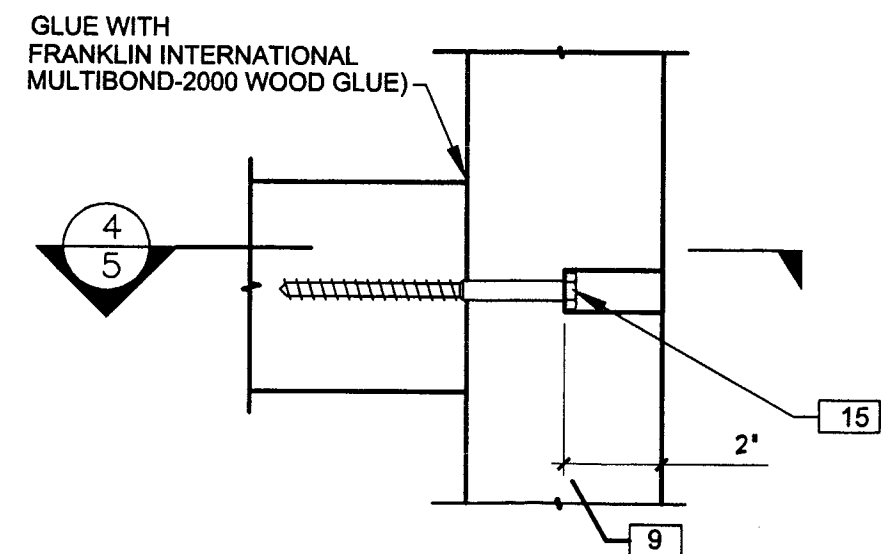
1
5 TYP. FRAME CORNER DETAIL
(ALL MEETING JAMB MEMBERS TO BE SCREWED AT ALL CORNERS)
SCALE: NTS



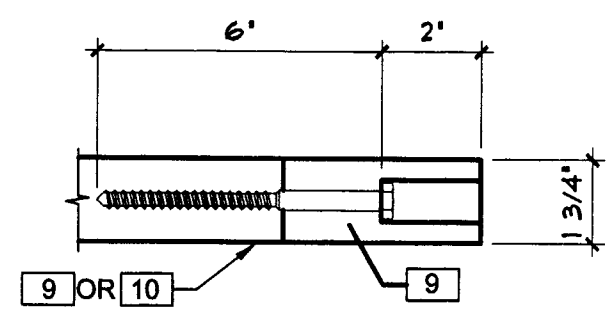
2
5 TYP. THRESHOLD CORNER DETAIL
(ALL MEETING JAMB MEMBERS TO BE SCREWED AT ALL CORNERS)
SCALE: NTS



3
5 DOOR PANEL CORNER DETAIL
SCALE: 1/4" = 1"



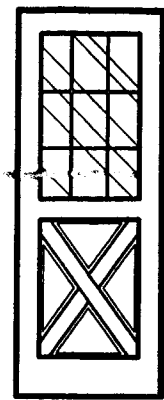
TYPICAL MEETING RAIL DETAIL
SCALE: 1/4" = 1"



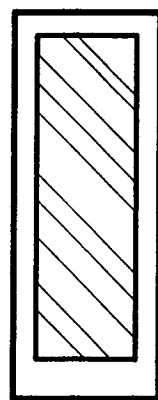
4
5 SECTION
SCALE: 1/4" = 1"

Approved as complying with the Florida Building Code
Date Aug. 15, 2002
NOA# D2-0301.02
Miami Dade Product Control Division
By: *Manuel Perez*

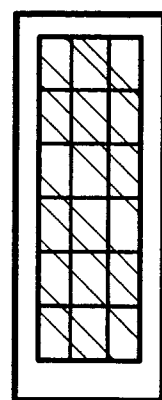
DRAWING TITLE	NO. 1	REVISION DESCRIPTION	BY G.R.	DATE 04/23/02
	2	GENERAL REVISIONS	G.R.	07/15/02
SERIES 1000 WOOD ENTRY DOORS		MANUFACTURER		
BROMLEY - COOK ENGINEERING, INC.		LAG DESIGN		
STRUCTURAL ENGINEERING SERVICES		INDUSTRIAL MILLWORK CORP		
2004 N.E. 49th STREET		WEST HWAY 36 SENECA, KS 66538		
FORT LAUDERDALE, FL 33308		(800)462-3667		
PHONE: (954) 772-4624 FAX: (954) 772-4634				
CERTIFICATION	WILLIAM D. COOK, P.E. FLA. P.E. NO. 43904			
DATE: 02/27/02		DRAWING NO: LAG316		
SHEET NO: 5		OF 9		



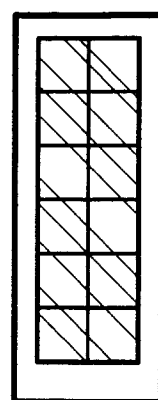
D-12



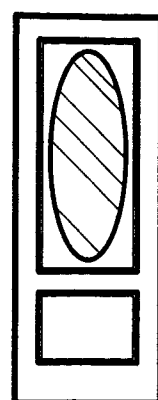
D-14



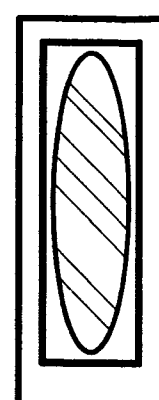
D-22



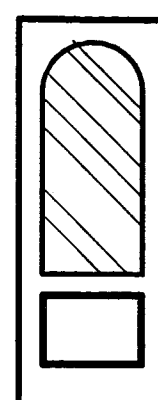
D-28



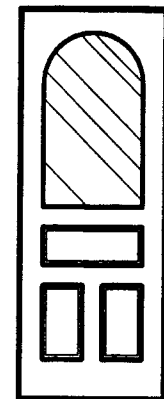
D-51



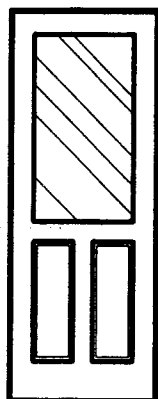
D-53



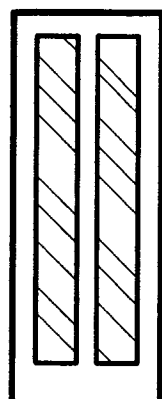
D-56



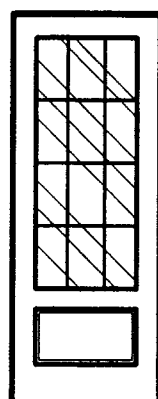
D-58



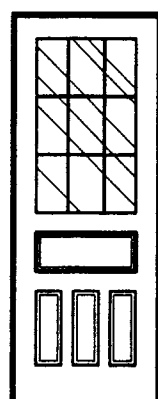
D-144



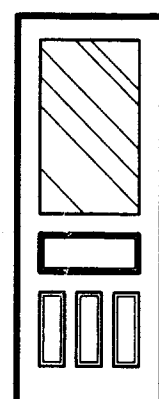
D-220



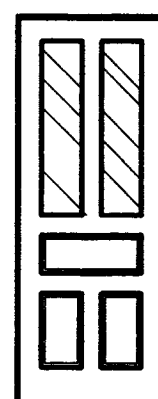
D-221



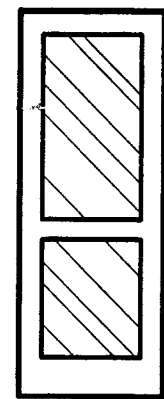
D-499



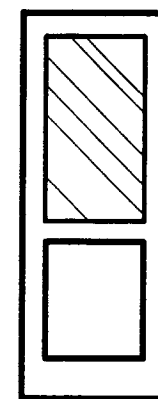
D-580



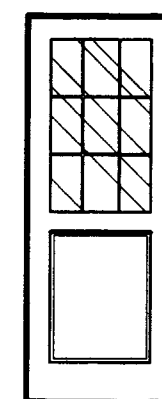
D-582



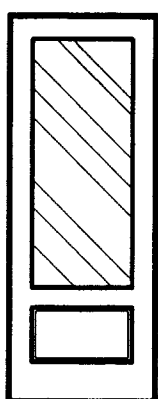
D-820



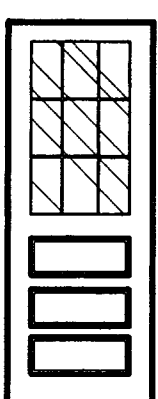
D-821



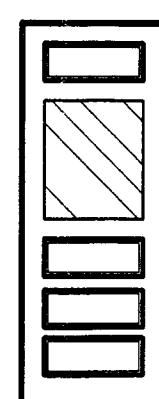
D-829



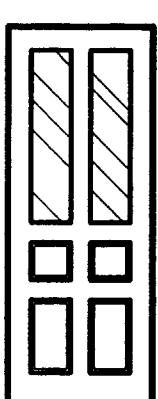
D-841



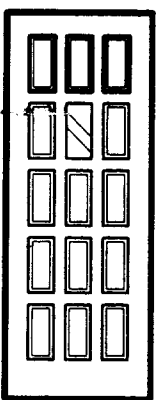
D-910



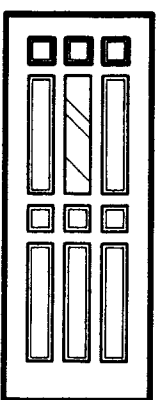
D-910



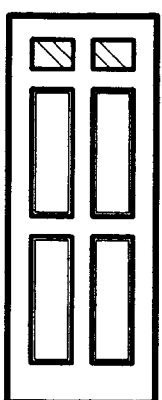
D-440



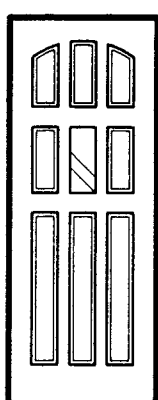
D-10



D-16



D-19



D-61

APPLICABLE GLAZED
PANEL DOORS

NOTE:
SURFACE APPLIED DECORATIVE MUNTINS
USED FOR DIVIDED LIGHTS
SEE SHEET 3 FOR DETAILS

Approved as complying with the
Florida Building Code
Date: Aug 15 2002
NOA# 02-0301-02
Miami Dade Product Control
Division
By: Manuel Perez

NO.	REVISION DESCRIPTION	BY	DATE
1	GENERAL REVISIONS	G.R.	04/23/02
2	GENERAL REVISIONS	G.R.	08/10/02
3	GENERAL REVISIONS	G.R.	07/15/02

DRAWING TITLE
SERIES 1000 WOOD DOORS
MANUFACTURER
LAG DESIGN
INDUSTRIAL MILLWORK CORP
WEST HWAY 36 SENECA, KS 66538
(800)462-3667

BROMLEY - COOK ENGINEERING, INC.
STRUCTURAL ENGINEERING SERVICES
2004 N.E. 48th STREET
FORT LAUDERDALE, FL 33308
PHONE: (954) 772-4624 FAX: (954) 772-4634

CERTIFICATION
JUL 16 2002
WILLIAM D. COOK, P.E.
FLA. P.E. NO. 43904

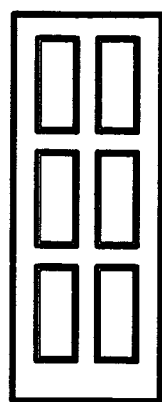
DATE:
02/27/02
DRAWING NO:
LAG316
SHEET NO:
6 OF 9



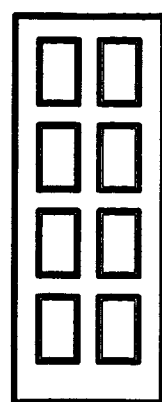
D-18



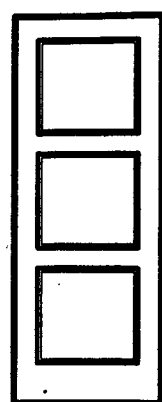
D-18



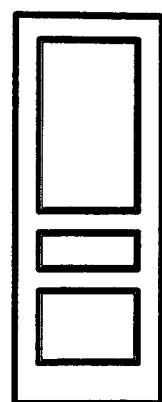
D-24



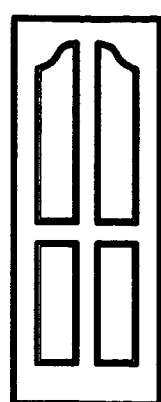
D-26



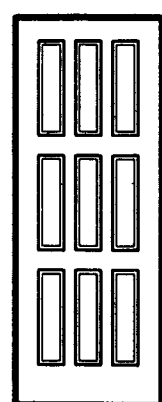
D-30



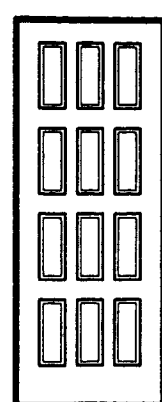
D-32



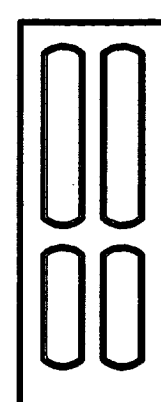
D-34



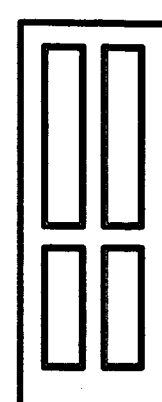
D-35



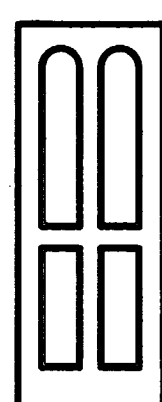
D-36



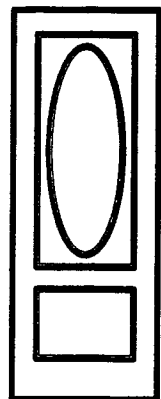
D-43A



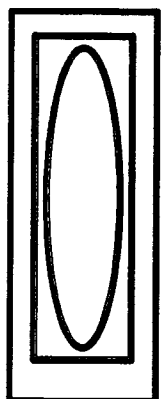
D-44



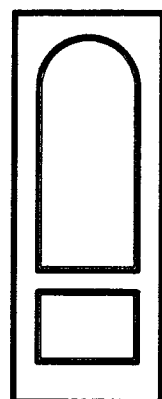
D-46



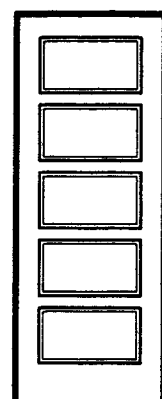
D-50



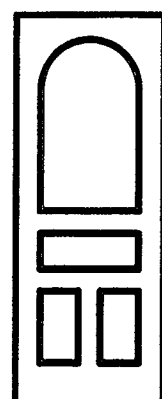
D-52



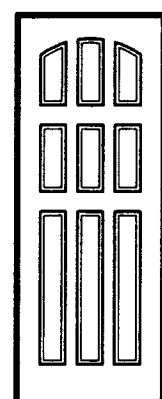
D-54



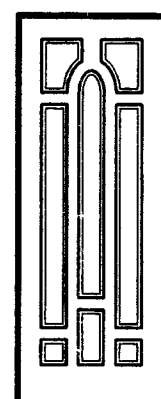
D-55



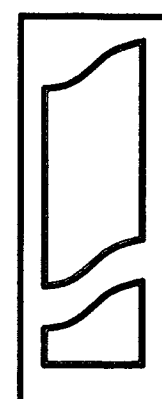
D-57



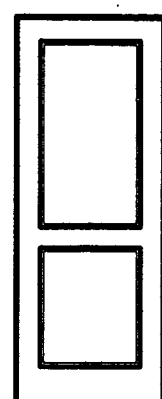
D-60



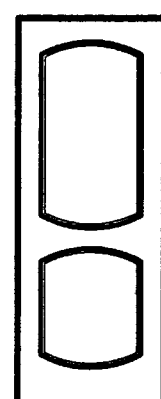
D-62



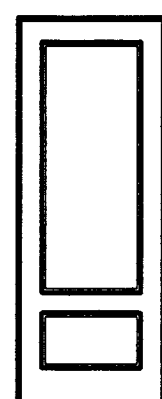
D-68



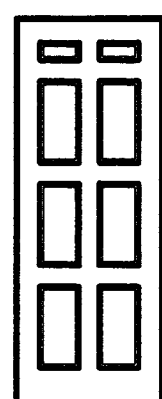
D-82



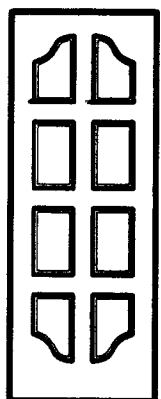
D-83



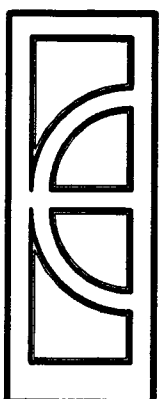
D-84



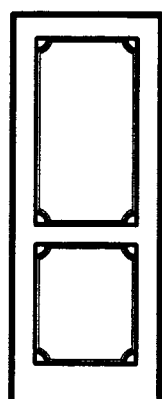
D-86



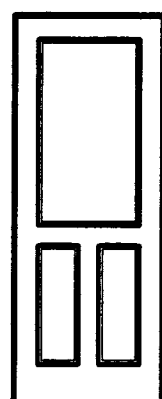
D-90



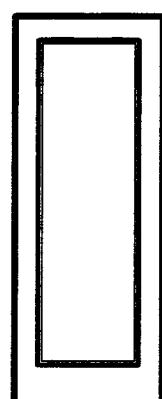
D-100



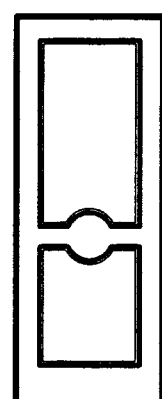
D-102



D-145



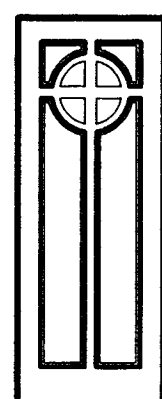
D-146



D-182



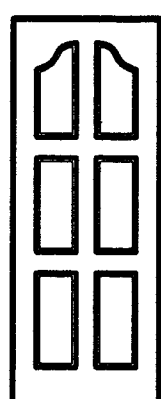
D-183



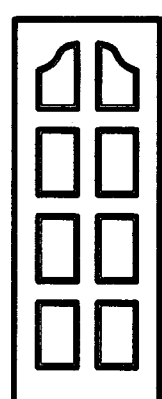
D-200



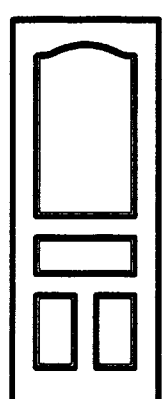
D-222



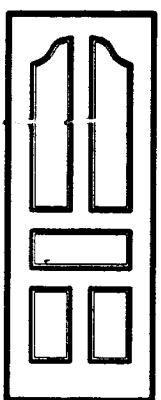
D-224



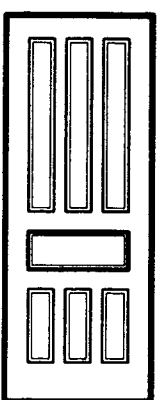
D-226



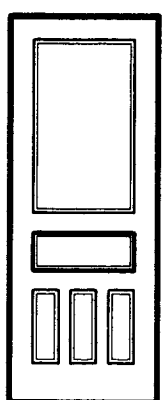
D-382



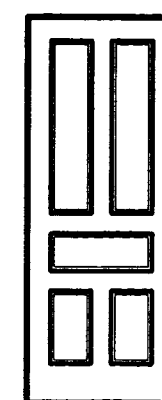
D-384



D-493



D-581

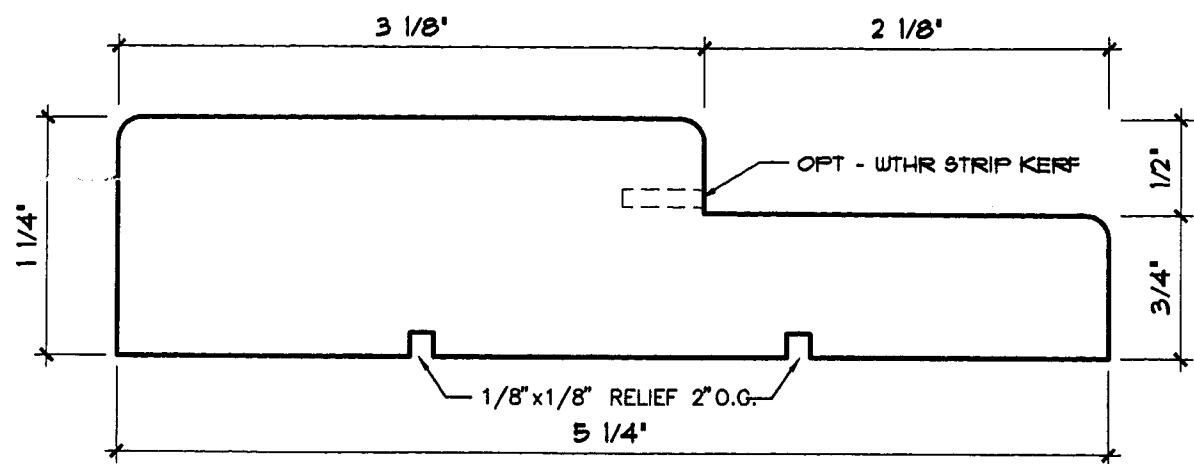


D-584

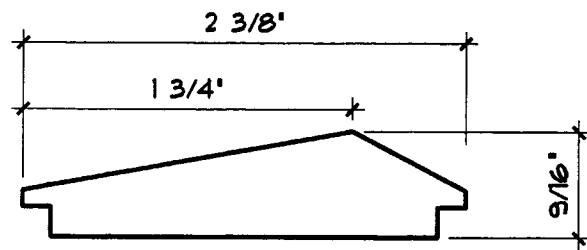
APPLICABLE SOLID WOOD
RAISED PANEL DOORS

Approved as complying with the
Florida Building Code
Date AUG. 15, 2002
NOA# 02-0307-02
Miami Dade Product Control
Division
By Mauro

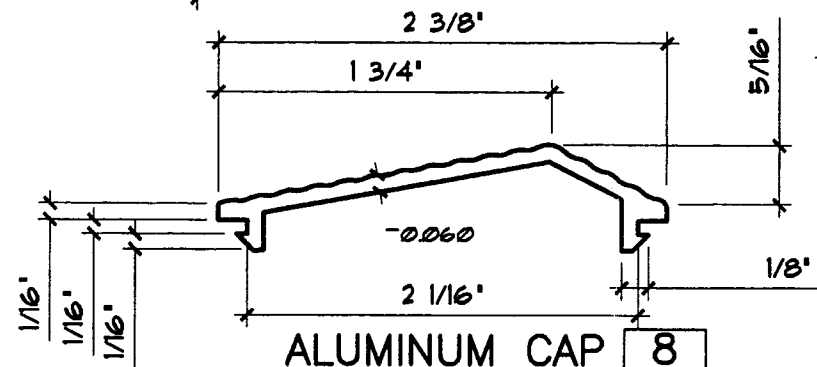
REVISION DESCRIPTION	BY	DATE
	G.R.	4/23/02
GENERAL REVISIONS	G.R.	07/15/02
NO.	DRAWING TITLE	
1	SERIES 1000 WOOD ENTRY DOORS	
2	MANUFACTURER	
	LAG DESIGN INDUSTRIAL MILLWORK CORP WEST HWY 36 SENECA, KS 68538 (800)462-3667	
BROMLEY - COOK ENGINEERING, INC. STRUCTURAL ENGINEERING SERVICES 2004 N.E. 48th STREET FORT LAUDERDALE, FL 33308 PHONE: (864) 772-4624 FAX: (864) 772-4634		
CERTIFICATION	DATE: <u>JUL 19 2002</u>	
	WILLIAM D. COOK, P.E. FLA. P.E. NO. 43904	
	DATE:	02/27/02
	DRAWING NO:	LAG316
	SHEET NO:	7 OF 9



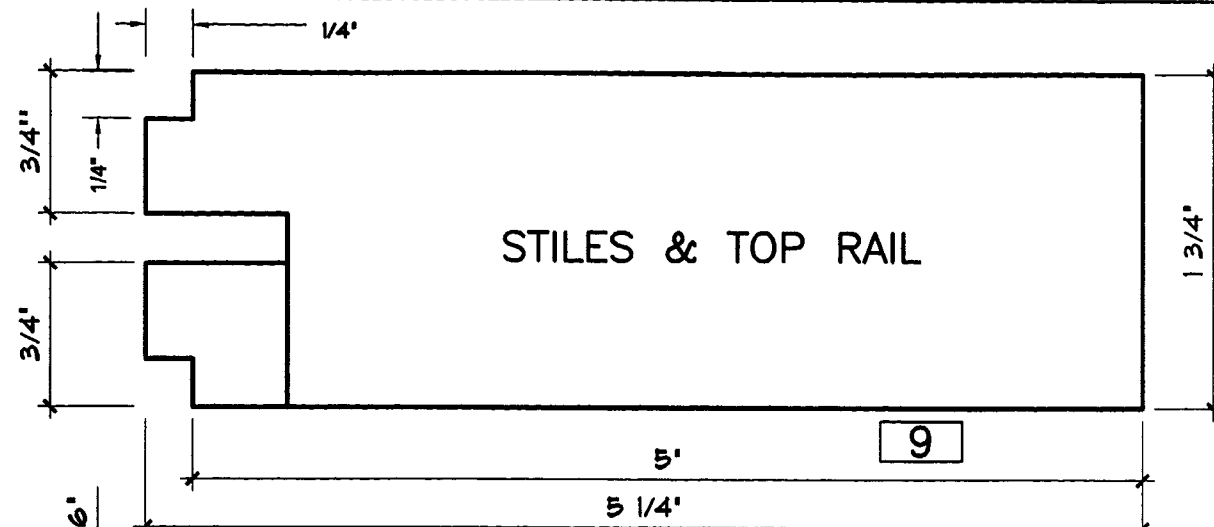
JAMB 1
SCALE: FULL SCALE



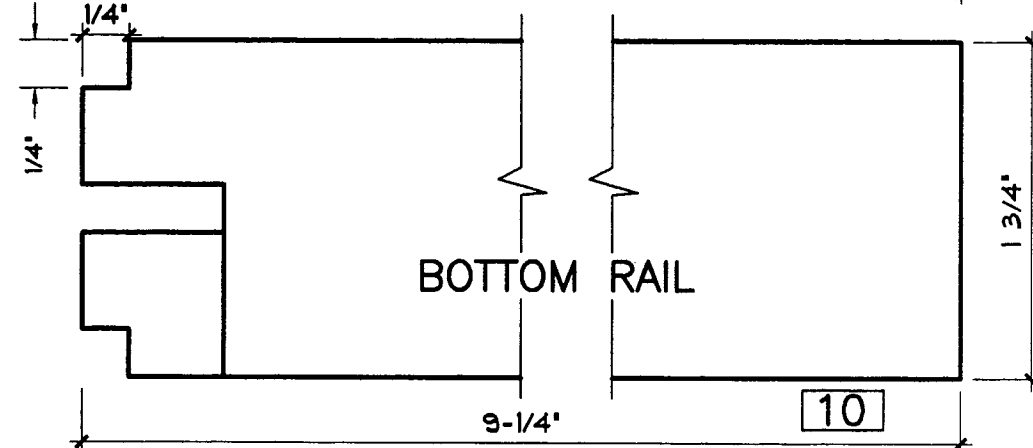
OAK CAP 8
SCALE: FULL SCALE



ALUMINUM CAP 8
SCALE: FULL SCALE
(6063-T5)

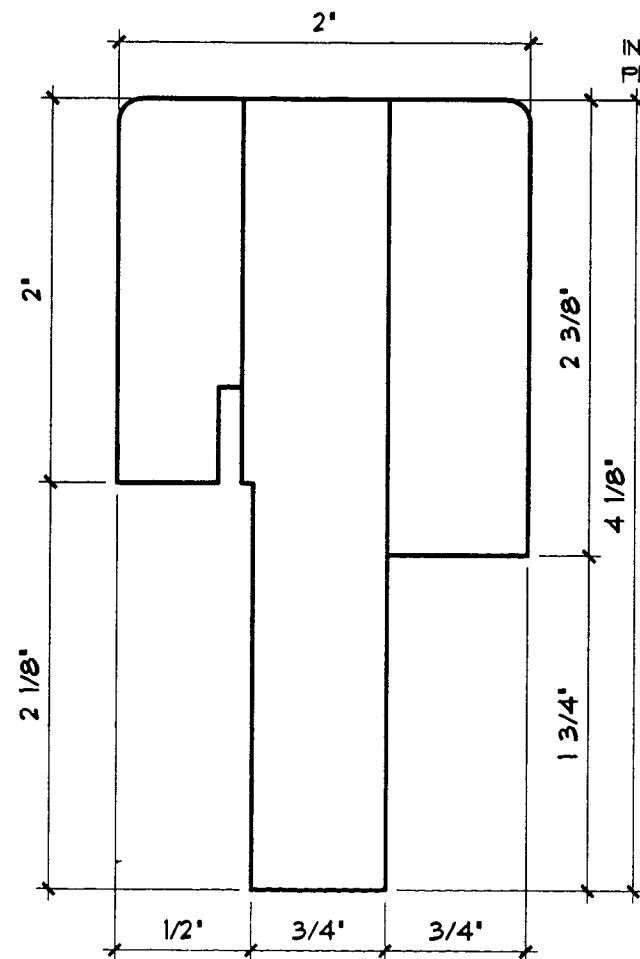


STILES & TOP RAIL 9



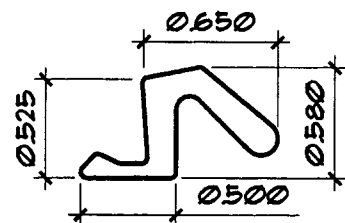
BOTTOM RAIL 10

STILES & RAILS 10
SCALE: N.T.S.

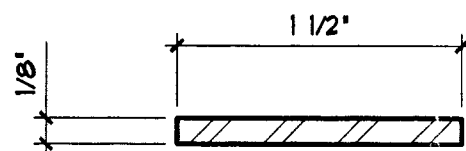


ASTRAGAL 12
SCALE: FULL SCALE

INDICATES LAMINATED PLYWOOD TYP.

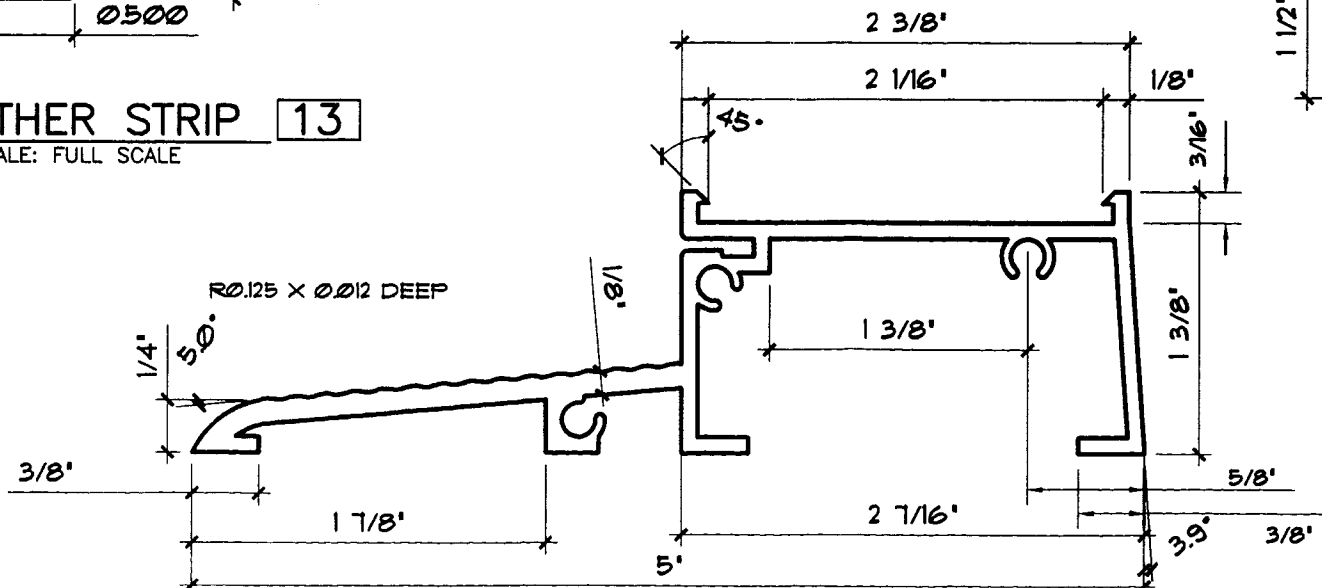


WEATHER STRIP 13
SCALE: FULL SCALE

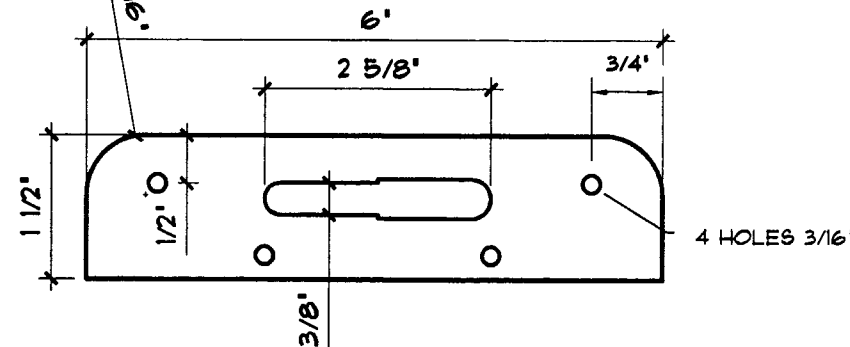


REINFORCING PLATE 14
(STEEL)
SCALE: FULL SCALE

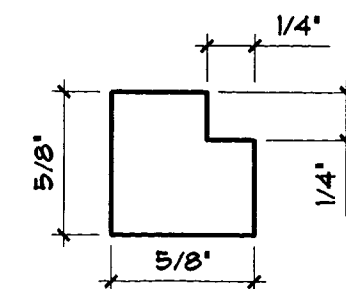
SEE DETAIL '2/3' FOR PLAN VIEW.



ALUMINUM THRESHOLD 7
SCALE: FULL SCALE
(6063-T5)



STRIKE PLATE 5
(6063-T5)
SCALE: 1/2 SCALE



GLASS STOP 11
SCALE: FULL SCALE

Approved as complying with the Florida Building Code
Date: Aug. 15, 2002
NOA# 02-0307-02
Miami Dade Product Control Division
By: *Manuel Serrano*

NO.	REVISION DESCRIPTION	BY	DATE
1	GENERAL REVISIONS	G.R.	02/21/02
2	GENERAL REVISIONS	G.R.	04/23/02
3	GENERAL REVISIONS	G.R.	08/10/02
4	GENERAL REVISIONS	G.R.	07/15/02

DRAWING TITLE
SERIES 1000 WOOD DOORS
MANUFACTURER
LAG DESIGN
INDUSTRIAL MILLWORK CORP
WEST HWY 36 SENECA, KS 66538
(800)462-3667

BROMLEY - COOK ENGINEERING, INC.
STRUCTURAL ENGINEERING SERVICES
2004 N.E. 49th STREET
FORT LAUDERDALE, FL 33308
PHONE: (954) 772-4624 FAX: (954) 772-4634

CERTIFICATION
18 2002
WILLIAM D. COOK, P.E.
FLA. P.E. NO. 43904
DATE: 02/25/02
DRAWING NO: LAG316
SHEET NO: 8 OF 9

MATERIAL LIST

1. SIDE , HEAD & JAMB (1 1/4" X 5 1/4" RABBETED & KERFED SOLID MAHOGANY.
NOTE: WOOD SPECIES OF EQUAL OR GREATER DENSITY MAY BE SUBSTITUTED FOR ALL WOOD COMPONENTS
2. LOCKING HARDWARE:

G.U. HARDWARE MULTI POINT LOCK SYSTEM WITH LEVER HANDLE & STRIKE AT 36" ABOVE BASE OF ACTIVE DOOR AND SHOOT BOLT MORTISED INTO DOOR PANEL WITH TOP AND BOTTOM STRIKES. MID-POINT LOCKS AT NO MORE THAN 24" APART.
3. DOUBLE ACTING FLUSH BOLT BY G.U. AT THE INACTIVE DOOR WITH TOP AND BOTTOM STRIKES.
4. STEEL HINGES 4" X 4" X 3/32" THICK LEAFS (GENERIC) PAINTED, STAINLESS BRASS, BRONZE, STEEL, OR OTHER FINISHES.
5. STRIKES:
HEAD AND SILL STRIKE PLATE. ALUMINUM BAR 0.125" THICK X 1 1/2" X 6" TO BE USED WITH #2 ABOVE.
6. DOOR PANEL
A. GLASSLAM SAFETY-PLUS 3/8" THICK LAMINATED WITH 1/8" ANNEALED - 0.06" POLYESTER RESIN - 0.01" P.E.T. - 0.06" POLYESTER RESIN - 1/8" ANNEALED FOR IMPACT DOORS. (MAX DLO 25 1/2" x 81 1/2")
B. SOLID MAHOGANY RAISED PANEL
1 1/2" THICK @ CENTER, 5/8" THICK @ EDGES
7. 5" X 1 3/8" 6063-T5 ALUMINUM BUMPER THRESHOLD.
8. OAK OR 6063-T5 ALUMINUM THRESHOLD CAP.
9. SOLID MAHOGANY STILE AND TOP RAIL- 1 3/4" X 5 1/4"
10. RAILS- 1 3/4" X 9.0" SOLID MAHOGANY.
11. GLASS STOP 5/8" X 5/8".
12. ASTRAGAL 2" X 4 1/8" LAMINATED PLYWOOD WITH 1 3/4" W/RABBET ON INACTIVE SIDE AND 2 1/8" RABBET ON ACTIVE SIDE.
13. WEATHER STRIP 5/8" Q-LON QDS-650.
14. REINFORCING PLATE: 1/8" X 1 1/2"(12" LONG) STAINLESS OR PAINTED STEEL FASTENED TO EACH TOP AND BOTTOM RAIL AS INDICATED ON DETAIL NUMBER "2 / 3".
15. LAG BOLTS 3/8"x6" LG.
16. G.E. 1200 SILICONE BACK BEDDING SEALING GLASS TO PANEL
17. 4d X 1 1/4" FINISHING NAIL 2 1/2" FROM CORNERS AND SPACED MAX. 4 1/2" O/C. OR #8 X 2" P.F.H.S.M.S. MAX SPACED @ 12" O.C.FASTENING GLASS STOPS TO PANELS. THE NAILS USED TO ATTACH THE GLAZING STOP PENETRATED THRU THE P.E.T. FILM ALSO
18. CASING BY OTHERS.
19. MIN. 2X4 P.T. BUCK BY OTHERS.
20. #10 X 3" F.H. WOOD SCREW (3 PER JAMB CORNER FASTENING JAMB TO JAMB).
21. No. 12 X 2 1/2" PFHSMS FASTENING FLAT BAR STEEL REINFORCING TO DOOR
22. NO. 10 X 3/4" PFHSMS FASTENING STRIKE PLATE TO HEAD JAMB (2 PER PLATE).
23. NO. 12 X 2 1/4" PFHSMS FASTENING STRIKE PLATE TO HEAD & BUCK (SCREWS PENETRATE THROUGH JAMB & INTO BUCK 1 1/2"). 2 PER PLATE.
24. NO. 10 X 1/2" PFHSMS FASTENING STRIKE PLATE TO THRESHOLD (2 PER PLATE).

AT FIXED PANELS ONLY

25. A. NO. 12 X 2 1/4" PFHSMS FASTENING STRIKE PLATE TO HEAD OR SILL JAMB AND BUCK (SCREWS PENETRATE THROUGH JAMB & INTO BUCK 1 1/2"). (2 PER PLATE.)
B. 3/16" TAPCONS (LENGTH AS REQUIRED FOR MIN. 1 3/4" CONCRETE EMBED) FASTENING THRESHOLD AND STRIKE PLATE TO CONCRETE SILL (2 PER PLATE).
26. NO. 8 X 3" S/STL SMS SECURING ASTRAGAL TO INACTIVE PANEL
2 SCREWS @ 1" FROM TOP & BOTTOM' BALANCE @ 9" O/C. STAGGERED
27. NO. 12 X 3/4" PFHSMS FASTENING HINGE TO JAMB (2 PER HINGE).
28. NO. 12 X 2 3/4" PFHSMS FASTENING HINGE TO JAMB (2 PER HINGE). FASTENERS MUST PENETRATE BUCK MIN 1 1/2".
29. NO. 12 X 1 1/4" PFHSMS FASTENING HINGES TO PANELS (4 PER HINGE).
30. NO. 12 X 2 1/2" PFHSMS FASTENING THRU-FRAME INTO BUCKS OR THRESHOLD INTO WOOD FRAME/BUCK AND JAMB/BUCK AT JAMB STOP. EMBED INTO BUCK MIN 1 1/2".
31. 3/16" TAPCONS (LENGTH AS REQUIRED FOR MIN. 1 3/4" CONCRETE EMBED) POSITIONED AS SHOWN ON ELEVATION VIEWS AND SECTIONS.
32. EXTERIOR TRIM BY OTHERS.
33. NO. 8 X 2 1/2" SMS THRU JAMBS & INTO SCREW SPLINES IN ALUMINUM THRESHHOLD.
34. NO. 8 X 2 1/2" SMS FASTENING JAMBS & THRESHOLD TO PANELS (4" FROM CORNERS & 8" O.C.)
35. 3/4" x 5 1/4" STRUCTURAL MULLION COMPOSED OF 13 PLY HARDWOOD PLYWOOD.

NO.	REVISION DESCRIPTION	BY	DATE
1	GENERAL REVISIONS	G.R.	02/21/02
2	GENERAL REVISIONS	G.R.	04/23/02
3	GENERAL REVISIONS	G.R.	06/10/02
4	GENERAL REVISIONS	G.R.	07/15/02

DRAWING TITLE
SERIES 1000 WOOD DOORS

MANUFACTURER
**LAG DESIGN
INDUSTRIAL MILLWORK CORP
WEST HWAY 36 SENECA, KS 66538
(800)462-3667**

BROMLEY - COOK ENGINEERING, INC.
STRUCTURAL ENGINEERING SERVICES
2004 N.E. 48th STREET
FORT LAUDERDALE, FL 33308
PHONE: (954) 772-4624 FAX: (954) 772-4634

CERTIFICATION
MAY 2 2002
WILLIAM D. COOK, P.E.
FLA. P.E. NO. 43904

Approved as complying with the Florida Building Code
Date: Aug 15, 2002
NOA# 02-0307-02
Miami Dade Product Control
Division
By: Manuel Perez

DATE: 02/25/02
DRAWING NO: LAG316
SHEET NO: 9 OF 9