



**BUILDING CODE COMPLIANCE OFFICE (BCCO)
PRODUCT CONTROL DIVISION**

**MIAMI-DADE COUNTY, FLORIDA
METRO-DADE FLAGLER BUILDING
140 WEST FLAGLER STREET, SUITE 1603
MIAMI, FLORIDA 33130-1563
(305) 375-2901 FAX (305) 375-2908
www.buildingcodeonline.com**

NOTICE OF ACCEPTANCE (NOA)

Centor North America, Inc.
1275 W. Roosevelt Rd.
West Chicago, IL 60185

SCOPE:

This NOA is being issued under the applicable rules and regulations governing the use of construction materials. The documentation submitted has been reviewed by Miami-Dade County Product Control Division and accepted by the Board of Rules and Appeals (BORA) to be used in Miami Dade County and other areas where allowed by the Authority Having Jurisdiction (AHJ).

This NOA shall not be valid after the expiration date stated below. The Miami-Dade County Product Control Division (In Miami Dade County) and/or the AHJ (in areas other than Miami Dade County) reserve the right to have this product or material tested for quality assurance purposes. If this product or material fails to perform in the accepted manner, the manufacturer will incur the expense of such testing and the AHJ may immediately revoke, modify, or suspend the use of such product or material within their jurisdiction. BORA reserves the right to revoke this acceptance, if it is determined by Miami-Dade County Product Control Division that this product or material fails to meet the requirements of the applicable building code.

This product is approved as described herein, and has been designed to comply with the Florida Building Code, including High Velocity Hurricane Zone of the Florida Building Code.

DESCRIPTION: Series "Eclipse-E4" Wood Folding Door

APPROVAL DOCUMENT: Drawing No. **CTR0001** titled "Folding Wood Door", sheets 1 through 8 of 8, prepared by PTC, LLC, dated 05/18/06 and last revised on 9-13-2006, signed and sealed by L. Roberto Lomas, P.E., bearing the Miami-Dade County Product Control Approval stamp with the Notice of Acceptance number and approval date by the Miami-Dade County Product Control Division.

MISSILE IMPACT RATING: Large and Small Missile Impact Resistant

LABELING: Each unit shall bear a permanent label with the manufacturer's name or logo, city, state and following statement: "Miami-Dade County Product Control Approved", unless otherwise noted herein.

RENEWAL of this NOA shall be considered after a renewal application has been filed and there has been no change in the applicable building code negatively affecting the performance of this product.

TERMINATION of this NOA will occur after the expiration date or if there has been a revision or change in the materials, use, and/or manufacture of the product or process. Misuse of this NOA as an endorsement of any product, for sales, advertising or any other purposes shall automatically terminate this NOA. Failure to comply with any section of this NOA shall be cause for termination and removal of NOA.

ADVERTISEMENT: The NOA number preceded by the words Miami-Dade County, Florida, and followed by the expiration date may be displayed in advertising literature. If any portion of the NOA is displayed, then it shall be done in its entirety.

INSPECTION: A copy of this entire NOA shall be provided to the user by the manufacturer or its distributors and shall be available for inspection at the job site at the request of the Building Official. This NOA consists of this page 1 and evidence page E-1 as well as, approval document mentioned above. The submitted documentation was reviewed by **Ishaq I. Chanda, P.E.**

**NOA No 05-1220.10
Expiration Date: October 20,2011
Approval Date: October 20, 2006
Page 1**



9/28/16

NOTICE OF ACCEPTANCE: EVIDENCE SUBMITTED

A. DRAWINGS

1. Manufacturer's die drawings and sections
2. Drawing No. **CTR0001** titled "Folding Wood Door", sheets 1 through 8 of 8, prepared by PTC, LLC, dated 05/18/06 and last revised on 9-13-2006, signed and sealed by L. Roberto Lomas, P.E.

B. TESTS

1. Test reports on
 - 1) Air Infiltration Test, per FBC TAS 202-94
 - 2) Uniform Static Pressure Test, Loading per FBC PA 202-94
 - 3) Water Infiltration Test per FBC, TAS 202-94 (Not Performed)
 - 4) Forced Entry Test, per FBC, TAS 202-944.
 - 5) Large Missile Impact Test per FBC, TAS 203-94
 - 6) Cyclic Wind Pressure Test per FBC, TAS 204-94

Along with installation diagram of Wood Folding Door, prepared by Intertek Testing Services, Test Report No. **3057492**, dated November 23, 2005, signed and sealed by Stephen J. Emerman, P.E.

C. CALCULATIONS

1. Anchor verification calculations, complying w/ FBC 2004, prepared by PTC, LLC dated 05/24/06 and last revised on 09-13-2006, signed and sealed by L. Roberto Lomas, P.E.
2. Glazing complies w/ ASTM E-1300-98 & ASTM E-1300-02

D. QUALITY ASSURANCE BY:

1. Miami Dade Building Code Compliance Office (BCCO)

E. MATERIAL CERTIFICATIONS

1. Notice of Acceptance No. **03-0225.10** for "Safety Plus II" issued to Glaslam International dba Nebula Glass Inc., expiring 08-07-2008.

F. STATEMENTS

1. Statement letter of conformance and "No financial interest", dated 09/21/06, signed & sealed L. Roberto Lomas, P. E.
2. Statement letters of compliance, issued as part of test reports.

G. OTHER

1. None

Ishaq I. Chanda

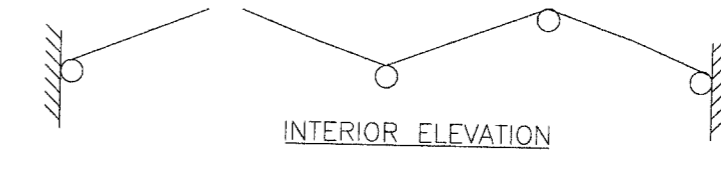
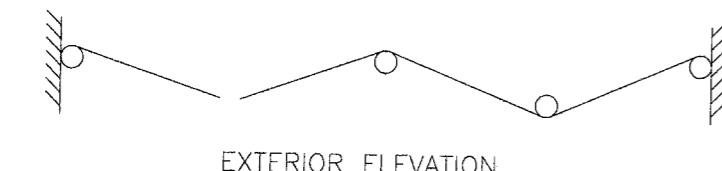
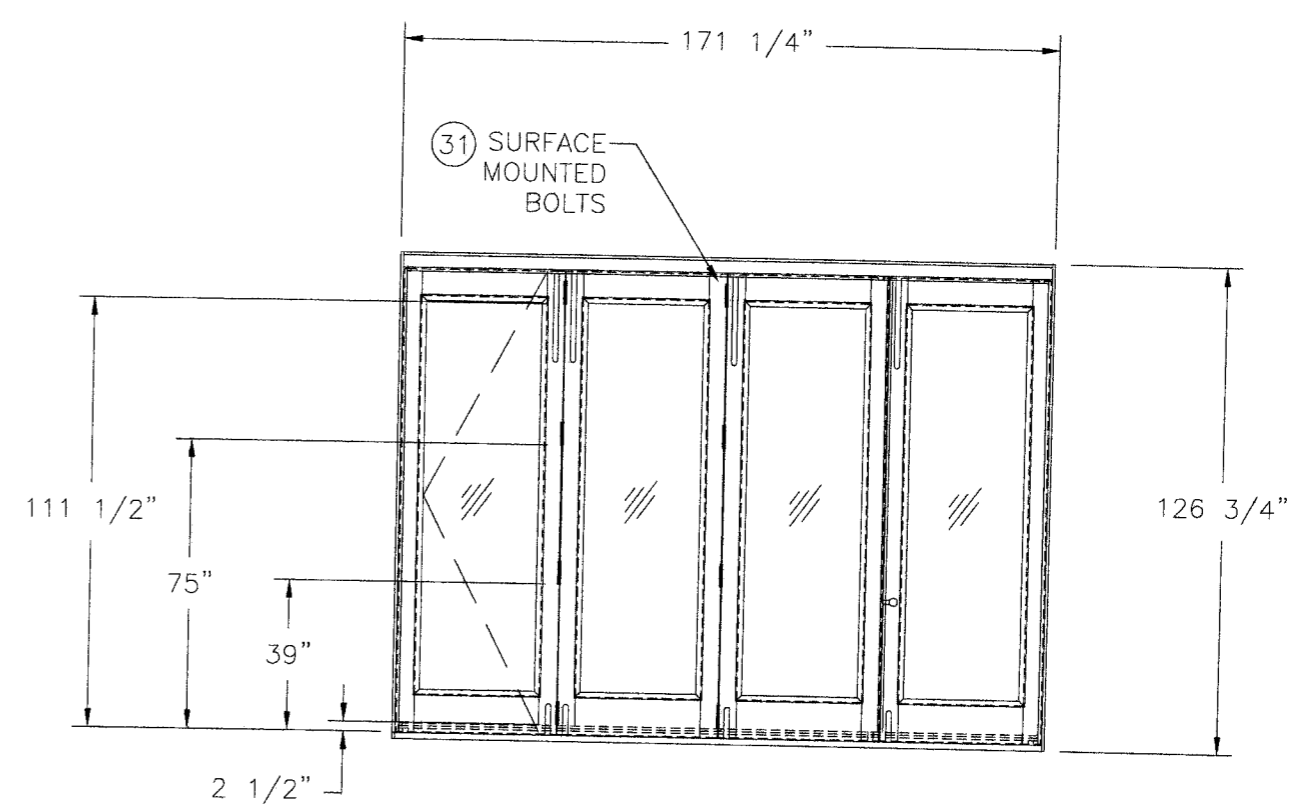
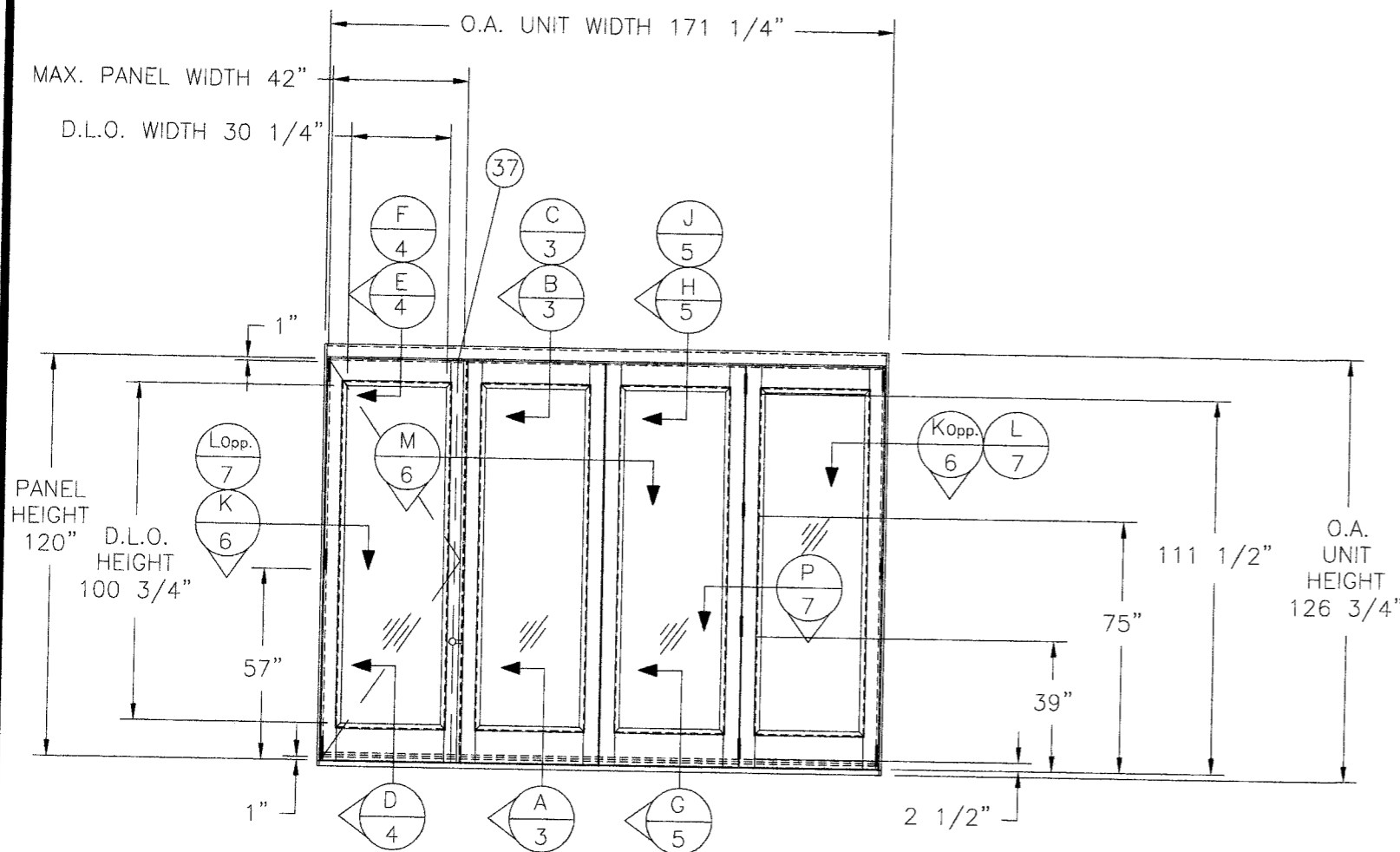
Ishaq I. Chanda, P.E.

Product Control Examiner

NOA No 05-1220.10

Expiration Date: October 20, 2011

Approval Date: October 20, 2006



DESIGN PRESSURE ±55.0 PSF

TABLE OF CONTENTS	
PAGE	DESCRIPTION
1	ELEVATION & GENERAL NOTES
2	ANCHOR ELEVATION AND ANCHOR NOTES
3-5	VERTICAL INSTALLATION DETAILS
6	HORIZONTAL INSTALLATION DETAILS
7	HORIZONTAL INSTALLATION DETAILS, BOM & GLAZING DETAIL
8	COMPONENTS

Approved as complying with
 Florida Building Code
 Date OCTOBER 20, 2006
 NOA# 05-1220-10
 Miami Dade Product Control
 Division
 By Isling I. Chanda

- GENERAL NOTES:
1. THE PRODUCT SHOWN HEREIN IS DESIGNED AND MANUFACTURED TO COMPLY WITH THE 2004 FLORIDA BUILDING CODE.
 2. ALL BUILT UP WOOD SECTIONS ARE GLUED WITH DURA AM18 MARINE GLUE.
 3. MASONRY, WOOD BUCK OR WOOD FRAMING OPENING TO BE DESIGNED AND ANCHORED TO PROPERLY TRANSFER ALL LOADS TO STRUCTURE. MASONRY, WOOD BUCK OR WOOD FRAMING OPENING IS RESPONSIBILITY OF ARCHITECT OR ENGINEER OF RECORD.
 4. PRODUCTS ARE APPROVED FOR USE WHERE LARGE MISSILE IMPACT RESISTANCE IS REQUIRED. IMPACT PROTECTIVE SYSTEM IS NOT REQUIRED.
 5. SEE ELEVATIONS FOR DESIGN PRESSURE RATINGS.

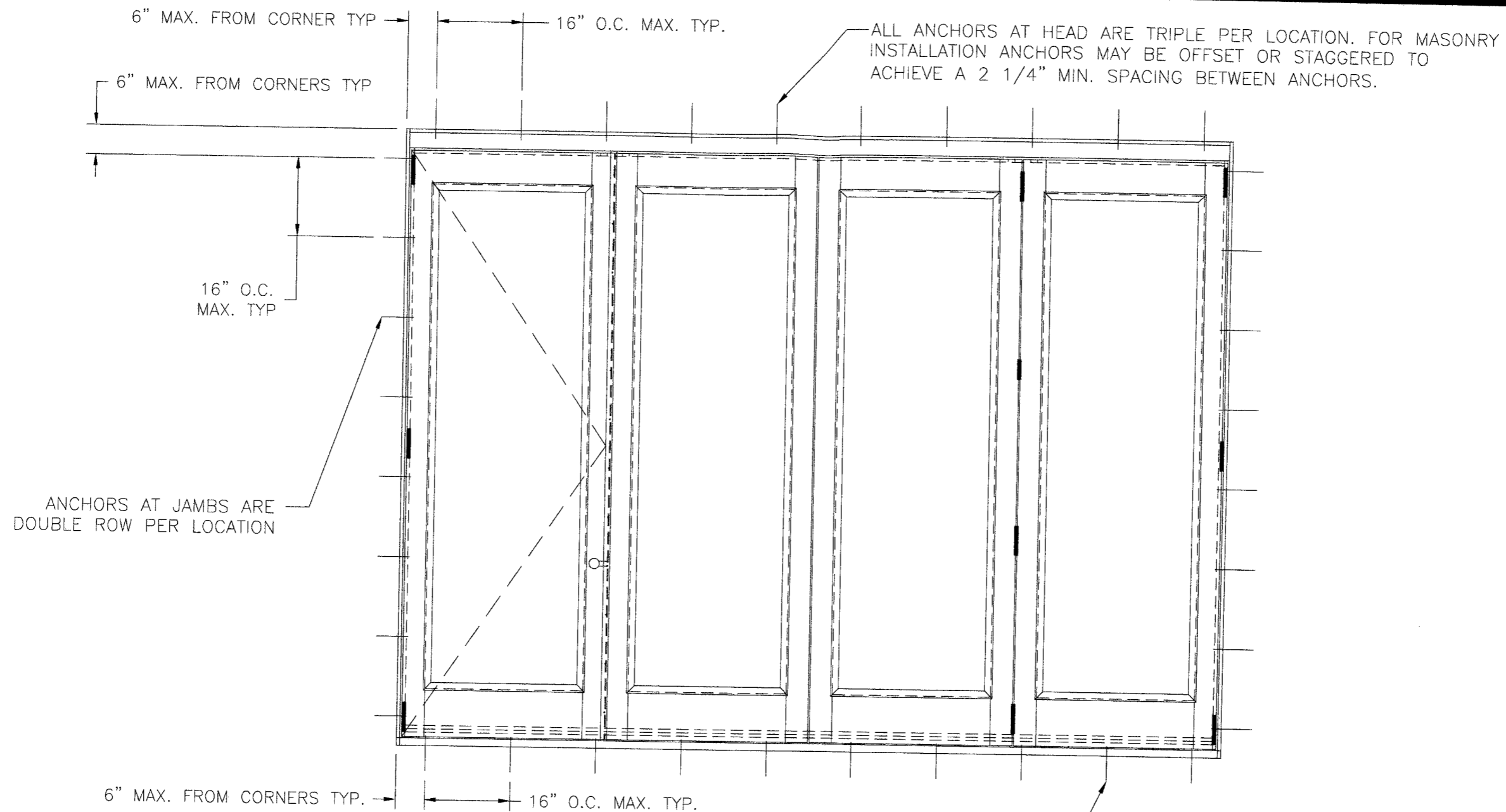
SYM	REVISION	DATE	BY
A	PER MIAMI DADE MARKUPS 8/18/06	8/22/06	BB

L. Roberto Lomas
 P.E. No. 62514
L. Roberto Lomas
 9/13/06
 PTC, LLC
 1535 Cogswell Street, suite C25
 Rockledge, Florida 32955
 FBPE Certificate of Authorization NO. 25935

CENTOR NORTH AMERICA, INC.
 1275 W. ROOSEVELT RD. WEST CHICAGO, IL 60185
 TITLE: 1L3R FOLDING WOOD DOOR SYSTEM LARGE MISSILE IMPACT
 ELEVATION AND GENERAL NOTES

PREPARED BY:
 PTC, LLC
 Phone 321.690.1788 Fax 321.690.1789

DRN: BB	DATE: 05/18/06
SCALE: N.T.S.	DWG. NO: CTR0001
REV: A	SHEET: 1 OF 8



EXTERIOR ELEVATION

ANCHORS AT SILL ARE DOUBLE ROW PER LOCATION

NOTES:

1. SHIM AS REQUIRED AT EACH SET OF INSTALLATION ANCHORS. MAXIMUM ALLOWABLE SHIM TO BE 1/4" MAX., SHIM WHERE SPACE OF 1/16" OR GREATER OCCURS.
2. FOR WOOD FRAMING:
 AT HEAD, INSTALL (2) #12 WOOD SCREWS THROUGH ALUMINUM EXTERIOR AND (1) 1/4" LAG BOLT THROUGH WOOD INTERIOR PER LOCATION.
 AT JAMBS, INSTALL (2) #12 WOOD SCREWS PER LOCATION.
 AT SILL, INSTALL (1) #12 WOOD SCREW DRAINAGE CHANNEL AND (1) 1/4" LAG BOLT THROUGH WOOD INTERIOR PER LOCATION.
 WOOD SCREWS AND LAG BOLTS TO BE OF SUFFICIENT LENGTH TO ACHIEVE A MINIMUM OF 1 1/2" EMBEDMENT INTO FRAMING.
3. FOR MASONRY:
 INSTALL (2) 3/16" DIAMETER ELCO TAPCONS WITH SUFFICIENT LENGTH TO ACHIEVE A 1 1/4" MINIMUM EMBEDMENT WITH A 2" MINIMUM EDGE DISTANCE PER LOCATION.
4. LOCATE ANCHORS 6" FROM EACH END AND 16" MAXIMUM ON CENTER THEREAFTER.

Approved as complying with the
 Florida Building Code
 Date OCT 20, 2006
 NOA# 05-1220-10
 Miami Dade Product Control
 Division
 By Isaac L. Ganda

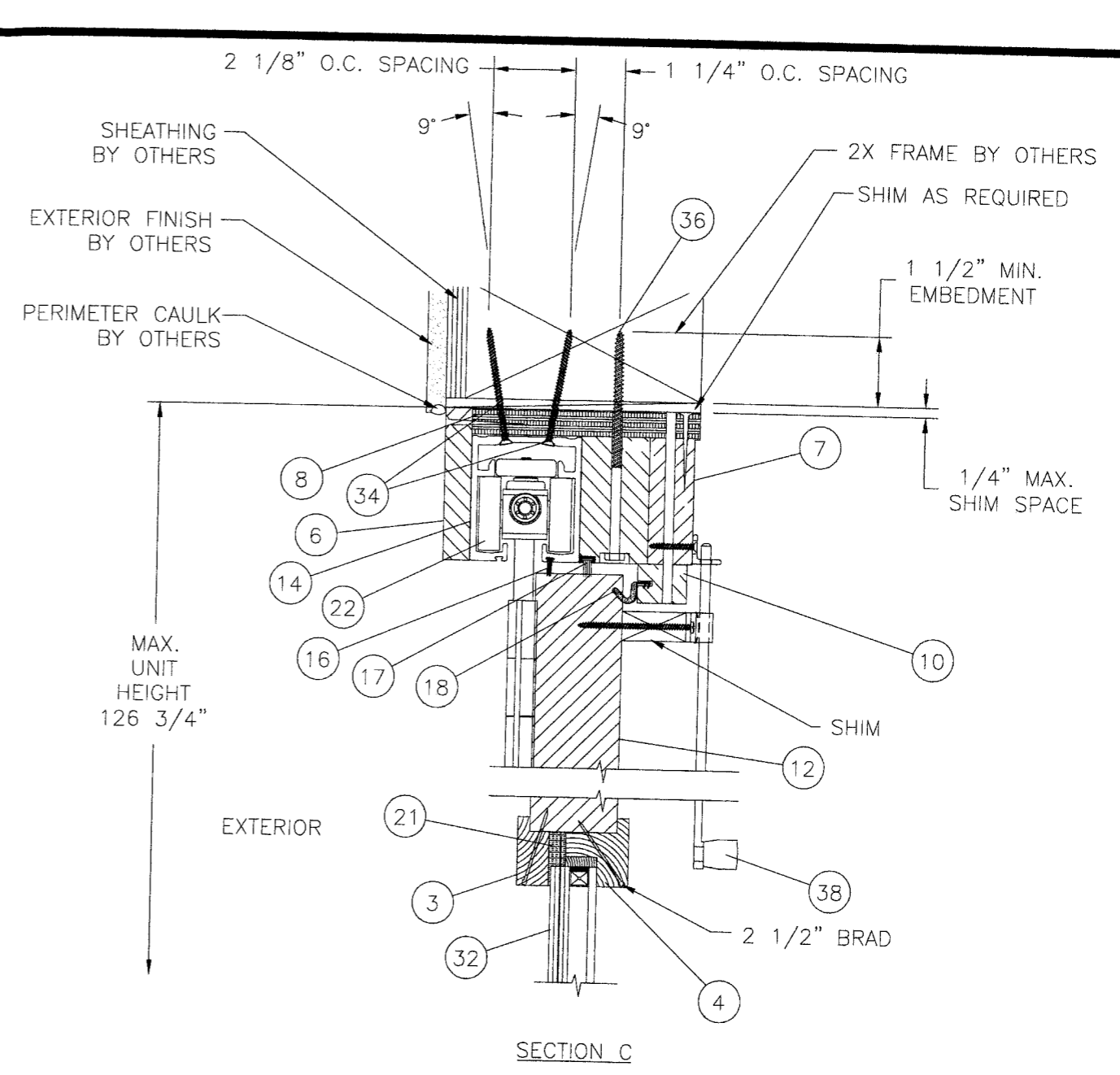
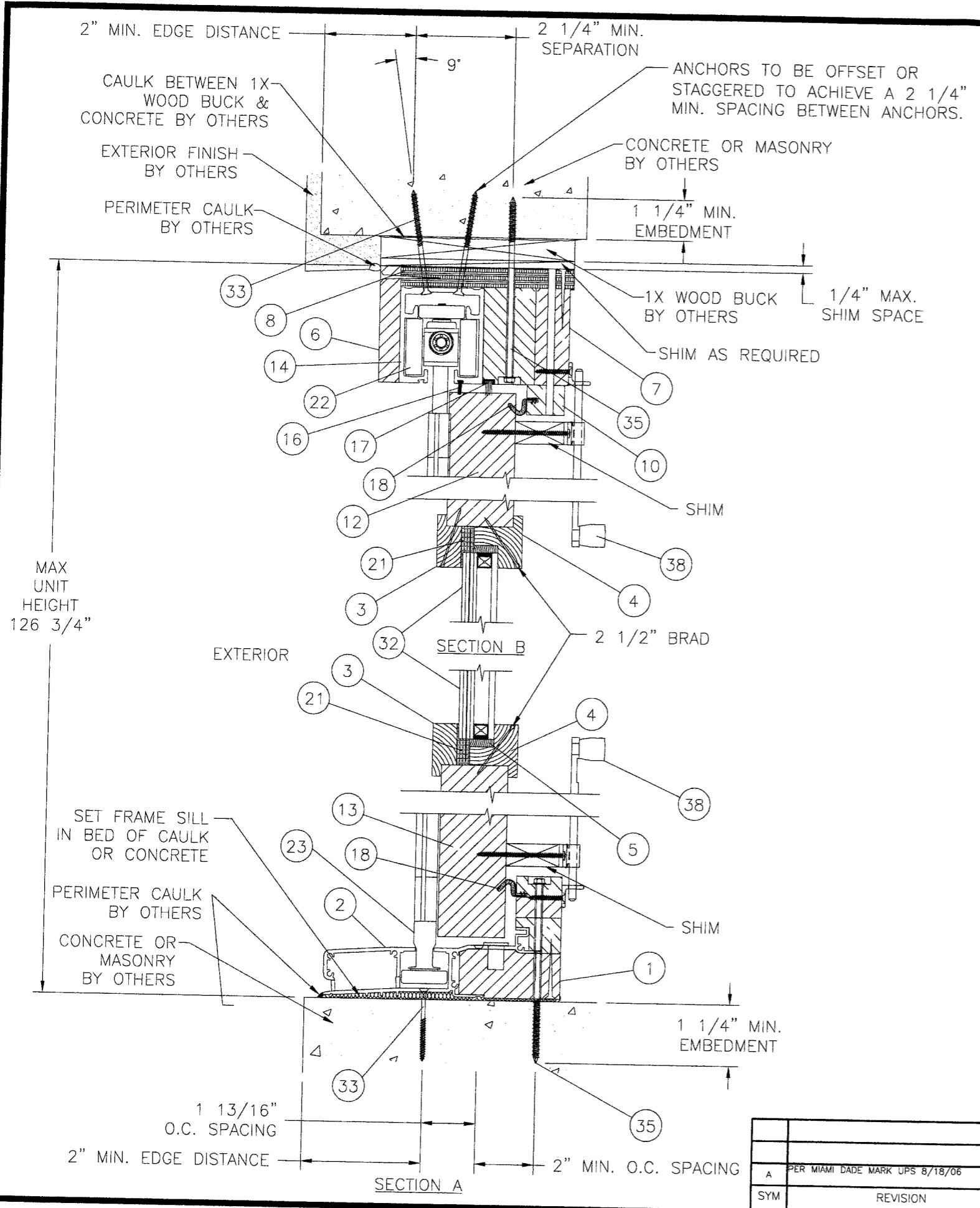
SYM	REVISION	DATE	BY
A	PER MIAMI DADE MARK UPS 8/18/06	8/22/06	BB

L. Roberto Lomas
 P.E. No. 62514
L. Roberto Lomas
 9/13/06
 PTC, LLC
 1535 Cogswell Street, suite C25
 Rockledge, Florida 32955
 FBPE Certificate of Authorization NO. 25935

CENTOR NORTH AMERICA, INC.
 1275 W. ROOSEVELT RD. WEST CHICAGO, IL 60185
 TITLE: 1L3R FOLDING WOOD DOOR SYSTEM LARGE MISSILE IMPACT
 ANCHORING ELEVATION AND ANCHOR NOTES

PREPARED BY: PTC PTC, LLC	DRN: BB	DATE: 05/18/06
SCALE: N.T.S.	DWG. NO: CTR0001	
REV: A	SHEET: 2 OF 8	

Phone 321.690.1788 Fax 321.690.1789



Approved as complying with the
 Florida Building Code
 Date OCT. 20, 2006
 NOA# 05-1230-10
 Miami Dade Product Control
 Division
 By Isaac I. Landa

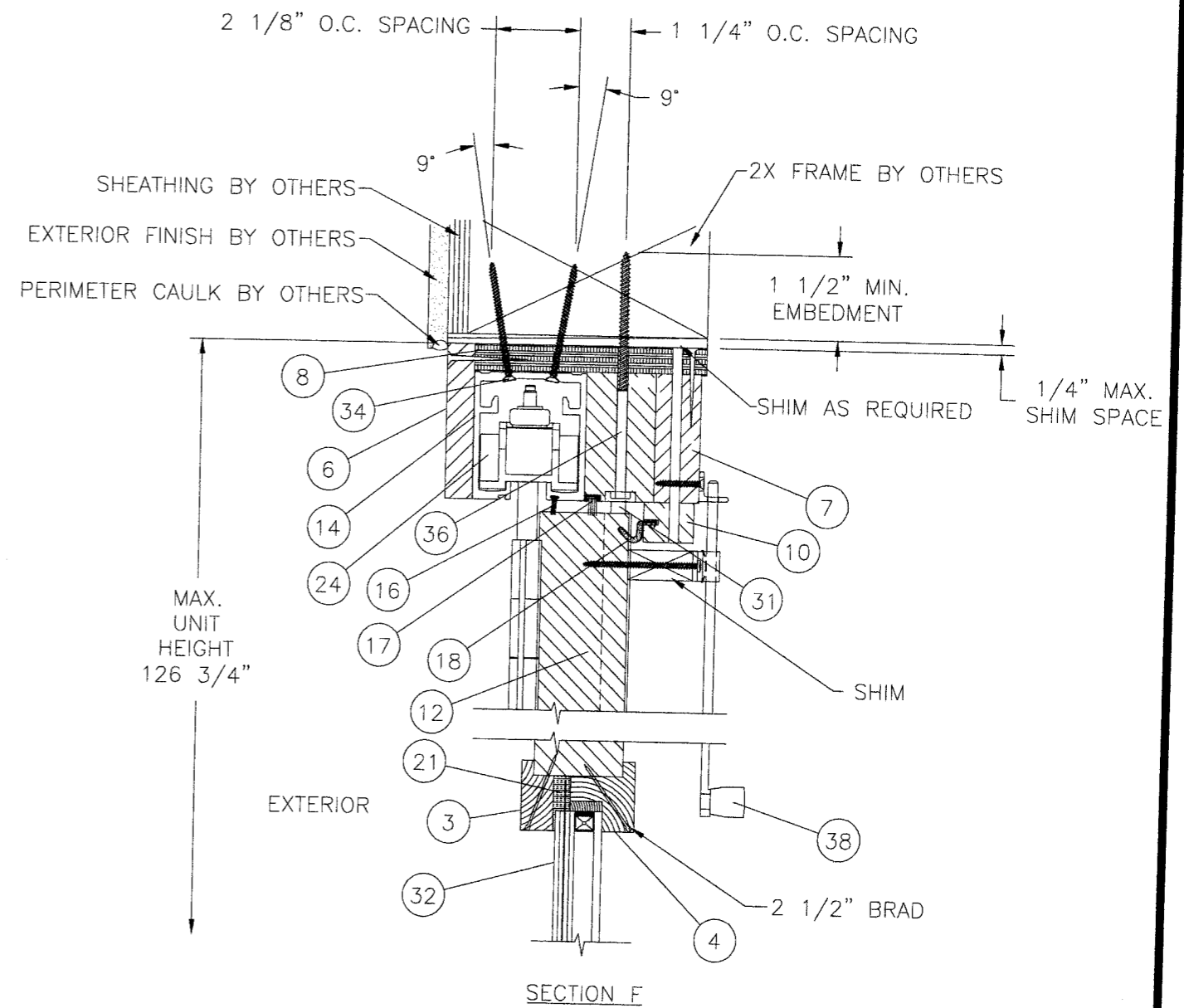
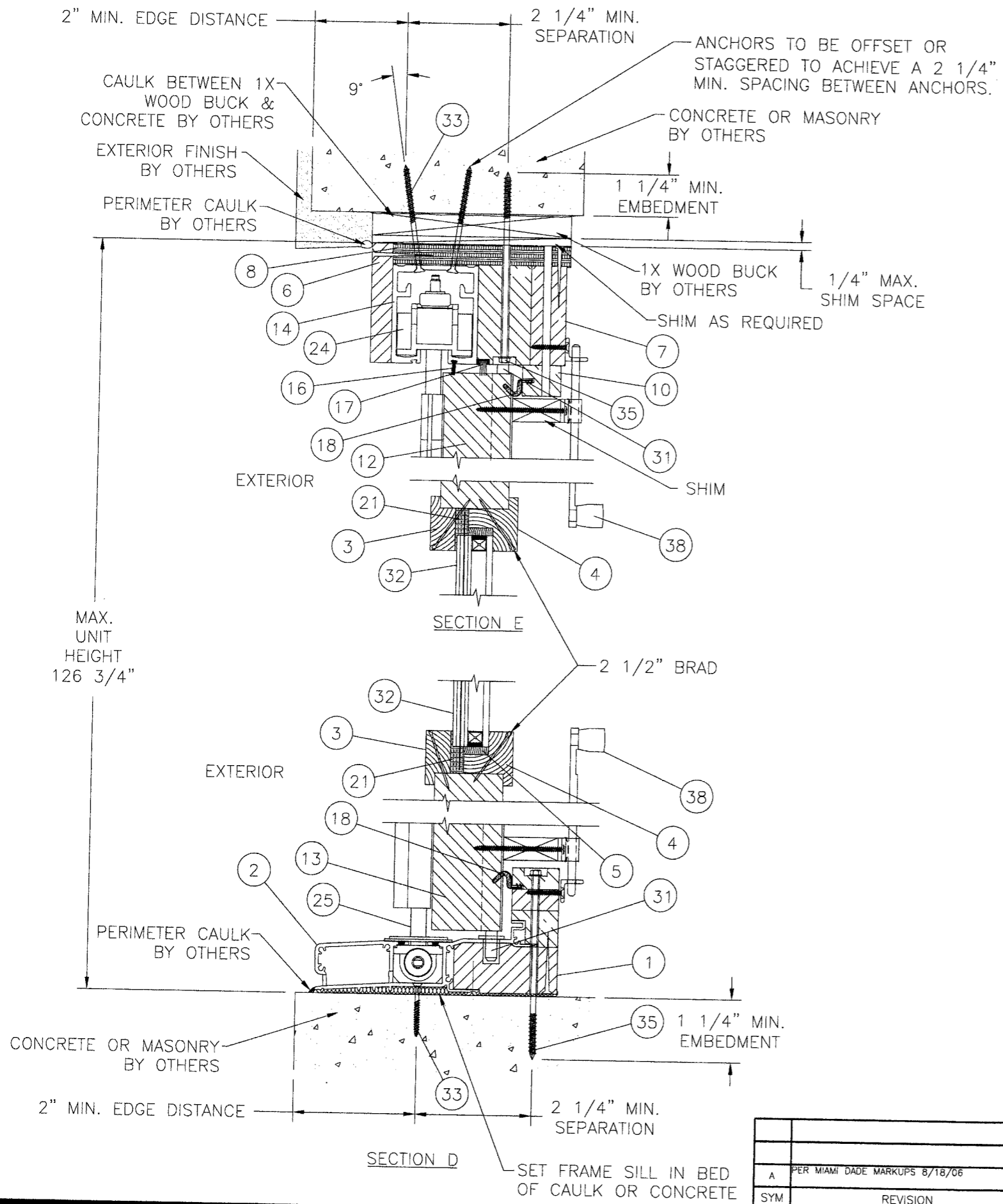
SYM	REVISION	DATE	BY
A	PER MIAMI DADE MARK UPS 8/18/06	8/22/06	BB

L. Roberto Lomas
 P.E. No. 62514
L. Roberto Lomas
 9/13/06
 PTC, LLC
 1535 Cogswell Street, suite C25
 Rockledge, Florida 32955
 FBPE Certificate of Authorization NO. 25935

CENTOR NORTH AMERICA, INC.
 1275 W. ROOSEVELT RD. WEST CHICAGO, IL 60185
 TITLE: 1L3R FOLDING WOOD DOOR SYSTEM LARGE MISSILE IMPACT
 VERTICAL INSTALLATION DETAILS

PREPARED BY: **PTC**
 PTC, LLC
 Phone 321.690.1788 Fax 321.690.1789

DRN: BB	DATE: 05/18/06
SCALE: N.T.S.	DWG. NO: CTR0001
REV: A	SHEET: 3 OF 8

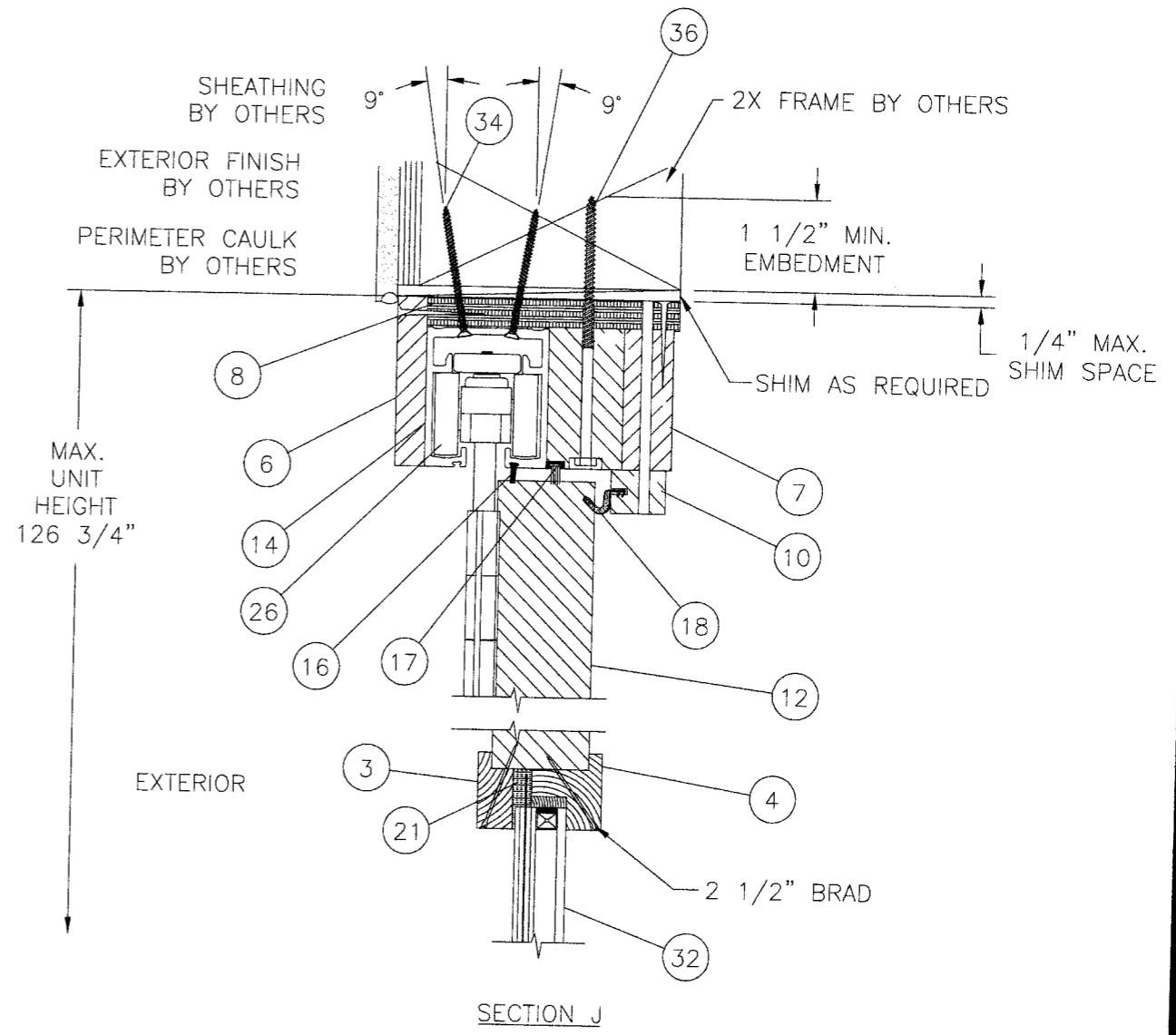
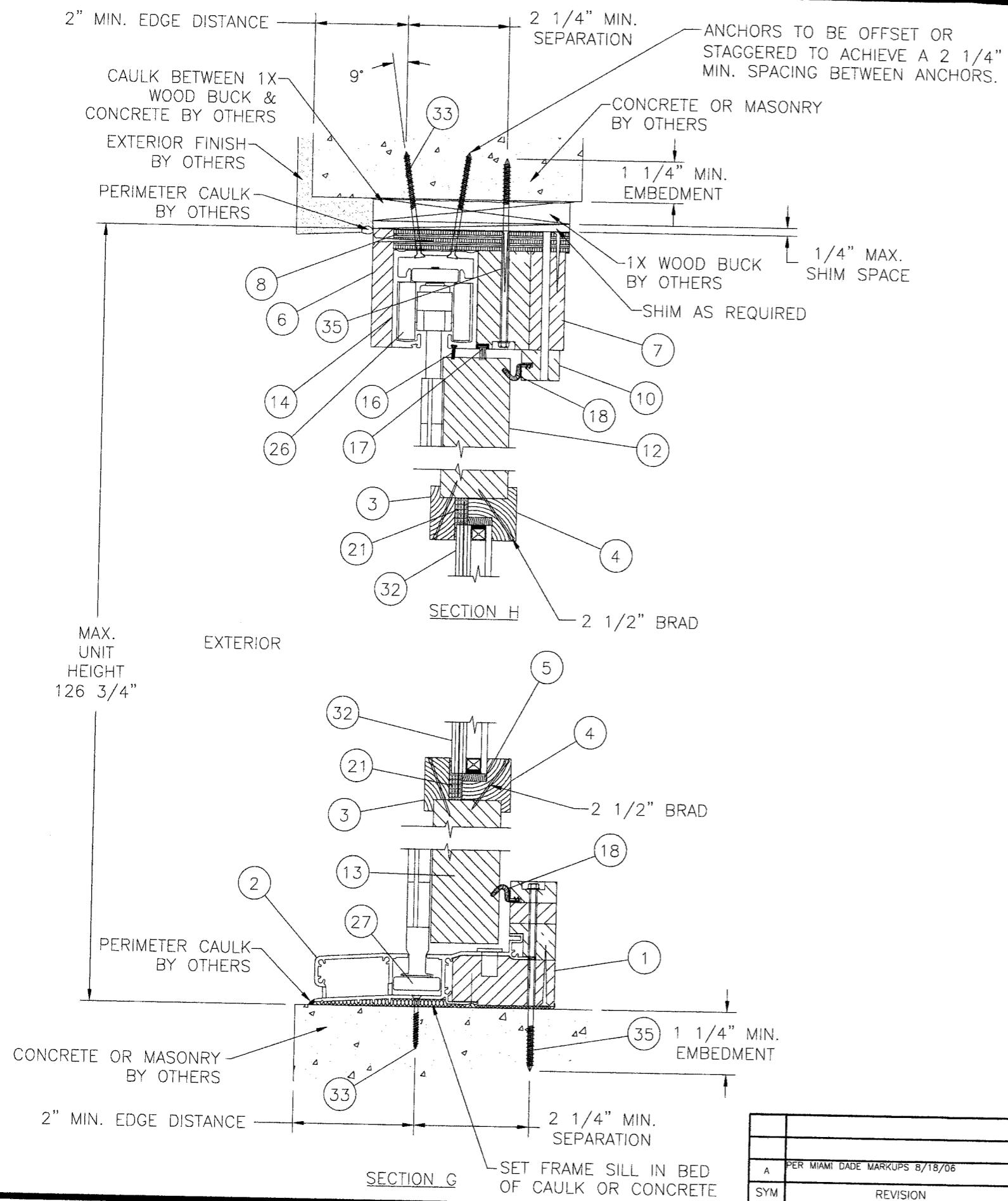


Approved as complying with the Florida Building Code
 Date: OCT. 20, 2006
 NOA# 05-1220-10
 Miami Dade Product Control Division
 By: Chag I. Lhanda

L. Roberto Lomas
 P.E. No. 62514
L. Roberto Lomas
 9/13/06
 PTC, LLC
 1535 Cagwell Street, suite C25
 Rockledge, Florida 32955
 FBPE Certificate of Authorization NO. 25935

CENTOR NORTH AMERICA, INC.
 1275 W. ROOSEVELT RD. WEST CHICAGO, IL 60185
 TITLE: IL3R FOLDING WOOD DOOR SYSTEM LARGE MISSILE IMPACT
 VERTICAL INSTALLATION DETAILS
 PREPARED BY: **PTC**
 DRN: BB DATE: 05/18/06
 SCALE: N.T.S. DWG. NO: CTR0001
 REV: A SHEET: 4 OF 8
 Phone 321.690.1788 Fax 321.690.1789

SYMBOL	REVISION	DATE	BY
A	PER MIAMI DADE MARKUPS 8/18/06	8/22/06	BB



Approved as complying with the Florida Building Code
 Date OCT 20, 2006
 NOA# 05-1220-10
 Miami Dade Product Control Division
 By Ishag I. Lhanda

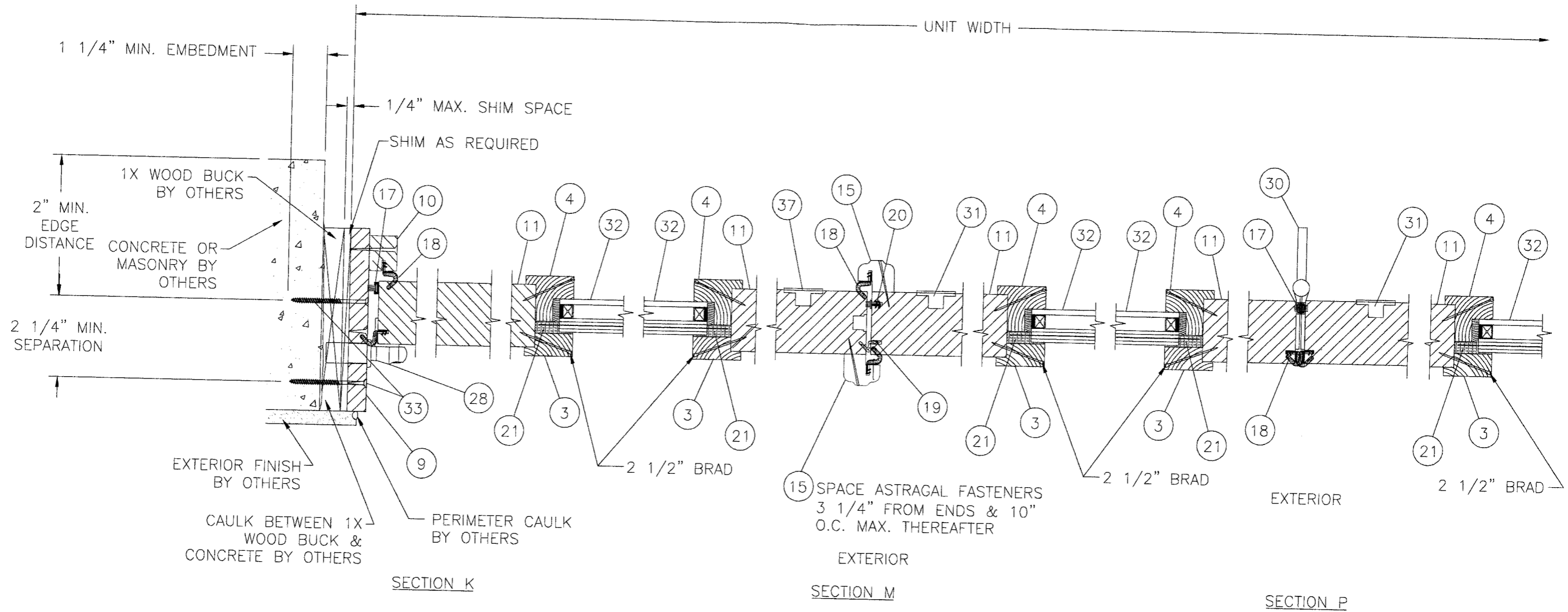
SYM	REVISION	DATE	BY
A	PER MIAMI DADE MARKUPS 8/18/06	8/22/06	BB

L. Roberto Lomas
 P.E. No. 62514
Luis R. Lomas
 9/13/06
 PTC, LLC
 1535 Cogswell Street, suite C25
 Rockledge, Florida 32955
 FBPE Certificate of Authorization NO. 25935

CENTOR NORTH AMERICA, INC.
 1275 W. ROOSEVELT RD. WEST CHICAGO, IL 60185
 TITLE: 1L3R FOLDING WOOD DOOR SYSTEM LARGE MISSILE IMPACT
 VERTICAL INSTALLATION DETAILS

PREPARED BY: **PTC** PTC, LLC
 DRN: BB
 DATE: 05/17/06
 SCALE: N.T.S.
 DWG. NO: CTR0001
 REV: A
 SHEET: 5 OF 8

Phone 321.690.1788 Fax 321.690.1789



Approved as complying with the
 Florida Building Code
 Date OCT 20, 2006
 NOA# 05-1220-10
 Miami Dade Product Control
 Division
 By Shag I. Chande

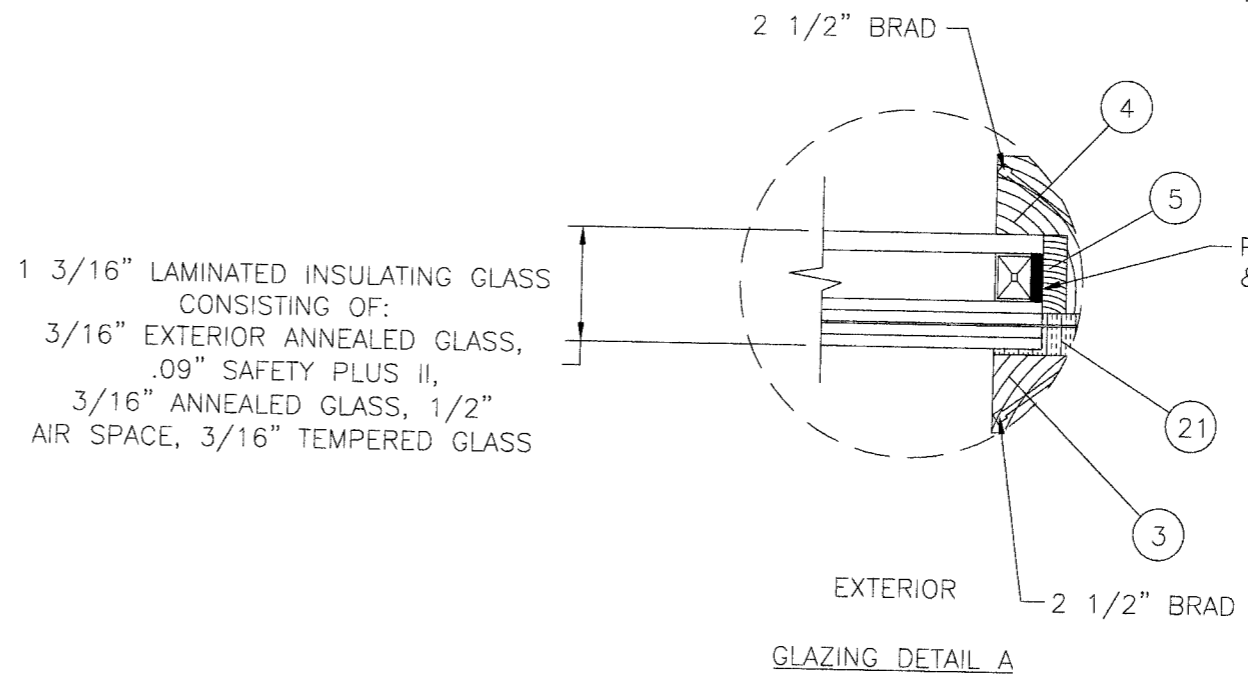
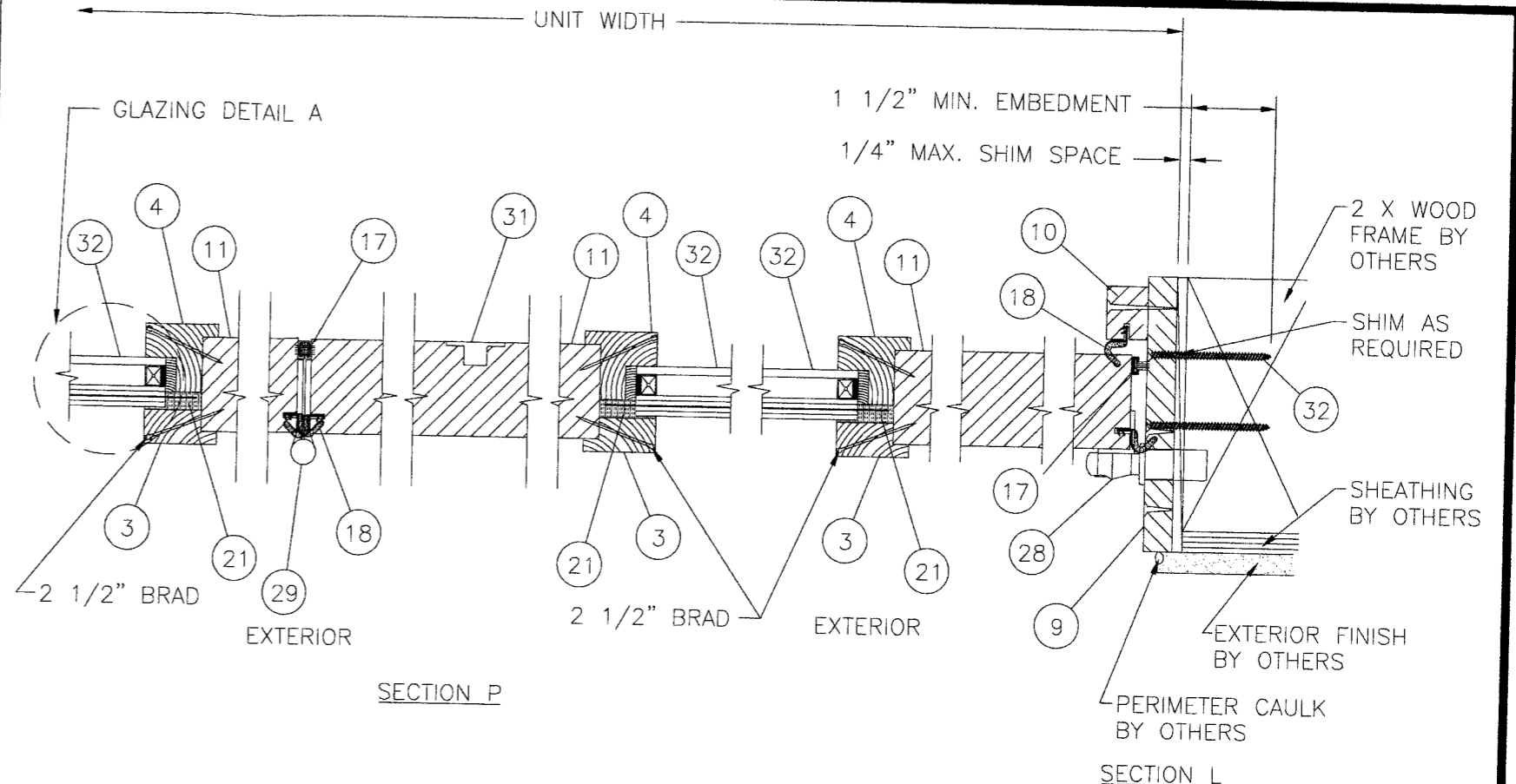
L. Roberto Lomas
 P.E. No. 62514
L. Roberto Lomas
 9/13/06
 PTC, LLC
 1535 Cogswell Street, suite C25
 Rockledge, Florida 32955
 FBPE Certificate of Authorization NO. 25935

CENTOR NORTH AMERICA, INC.
 1275 W. ROOSEVELT RD. WEST CHICAGO, IL 60185
 TITLE: 1L3R FOLDING WOOD DOOR SYSTEM LARGE MISSILE IMPACT
 HORIZONTAL INSTALLATION DETAILS
 PREPARED BY: **PTC**
 DRN: BB DATE: 05/18/06
 SCALE: N.T.S. DWG. NO: CTR0001
 REV: A SHEET: 6 OF 8
 Phone 321.690.1788 Fax 321.690.1789

SYM	REVISION	DATE	BY
A	PER MIAMI DADE MARKUPS 8/18/06	8/22/06	BB

BILL OF MATERIALS

ITEM NO.	DESCRIPTION	MATERIAL	MANUFACTURER
1	SILL SUBSTRATE	DOUGLAS FIR	CENTOR ARCHITECTURAL
2	ALUMINUM FRAME SILL	6063-T5	ALUMINUM EXTRUSION CO. LTD.
3	OUTSIDE GLAZING BLOCK	DOUGLAS FIR	CENTOR ARCHITECTURAL
4	INSIDE GLAZING BLOCK	DOUGLAS FIR	CENTOR ARCHITECTURAL
5	GLASS SETTING BLOCK	DOUGLAS FIR	CENTOR ARCHITECTURAL
6	OUTSIDE HEAD CHANNEL TRIM	DOUGLAS FIR	CENTOR ARCHITECTURAL
7	INSIDE HEAD CHANNEL TRIM	DOUGLAS FIR	CENTOR ARCHITECTURAL
8	FRAME HEAD	DOUGLAS FIR	CENTOR ARCHITECTURAL
9	FRAME JAMB	DOUGLAS FIR	CENTOR ARCHITECTURAL
10	DOOR STOP	DOUGLAS FIR	CENTOR ARCHITECTURAL
11	STILE	DOUGLAS FIR	CENTOR ARCHITECTURAL
12	TOP RAIL	DOUGLAS FIR	CENTOR ARCHITECTURAL
13	BOTTOM RAIL	DOUGLAS FIR	CENTOR ARCHITECTURAL
14	ALUMINUM HEAD TRACK	6063-T5	ALUMINUM EXTRUSION CO. LTD.
15	ASTRAGAL	DOUGLAS FIR	CENTOR ARCHITECTURAL
16	WEATHERSTRIPPING		SCHLEGEL
17	KT369 WEATHERSTRIPPING		AMESBURY GROUP
18	KT421 SEAL INSERT		AMESBURY GROUP
19	KT426 WEATHERSTRIPPING		AMESBURY GROUP
20	KT9108-35 WEATHERSTRIPPING		AMESBURY GROUP
21	DOW CORNING 995 SILICONE		DOW CORNING
22	INTERMEDIATE CARRIER	BRASS	CENTOR ARCHITECTURAL
23	INTERMEDIATE GUIDE	BRASS	CENTOR ARCHITECTURAL
24	TOP PIVOT	BRASS	CENTOR ARCHITECTURAL
25	BOTTOM PIVOT	BRASS	CENTOR ARCHITECTURAL
26	OFFSET CARRIER	BRASS	CENTOR ARCHITECTURAL
27	OFFSET GUIDE	BRASS	CENTOR ARCHITECTURAL
28	WALL PIVOT	BRASS	CENTOR ARCHITECTURAL
29	OFFSET HINGE	BRASS	CENTOR ARCHITECTURAL
30	OFFSET HINGE W/ HANDLE	BRASS	CENTOR ARCHITECTURAL
31	SYMPHONY FLUSH DROP BOLT		CENTOR ARCHITECTURAL
32	1 3/16" O.A. LAMINATED GLASS CONSISTING OF: 3/16" EXTERIOR ANNEALED GLASS, .090" SENTRY PLUS II, 3/16" ANNEALED GLASS, 1/2" AIR SPACE, 3/16" TEMPERED GLASS		SENTRY GLASS PLUS
33	3/16" DIA. ELCO TAPCON W/ 1 1/4" MIN. EMBEDMENT		
34	#12 WOOD SCREW W/ 1 1/2" MIN. EMBEDMENT		
35	1/4" DIA. ELCO TAPCON W/ 1 1/4" MIN. EMBEDMENT		
36	1/4" LAG BOLT W/ 1 1/2" MIN. EMBEDMENT		
37	HOPPE HLS9000 MULTI-PONT LOCKING SYSTEM		HOPPE



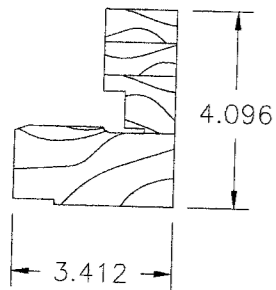
Approved as complying with the Florida Building Code
 Date OCT 20, 2006
 NOA# 05-1220-10
 Miami Dade Product Control Division
 By Shag I. Chanda

L. Roberto Lomas
 P.E. No. 62514
L. Roberto Lomas
 9/13/06
 PTC, LLC
 1535 Cogswell Street, suite C25
 Rockledge, Florida 32955
 FBPE Certificate of Authorization NO. 25935

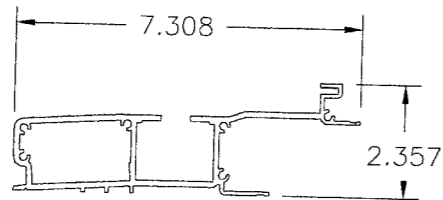
CENTOR NORTH AMERICA, INC.
 1275 W. ROOSEVELT RD. WEST CHICAGO, IL 60185
 TITLE: 1L3R FOLDING WOOD DOOR SYSTEM LARGE MISSILE IMPACT
 HORIZONTAL INSTALLATION, BOM & GLAZING DETAILS
 PREPARED BY: **PTC**
 PTC, LLC
 Phone 321.690.1788 Fax 321.690.1789
 ORN: BB DATE: 05/18/06
 SCALE: N.T.S. DWG. NO: CTR0001
 REV: A SHEET: 7 OF 8

SYM	REVISION	DATE	BY
A	PER MIAMI DADE MARKUPS	8/22/06	BB

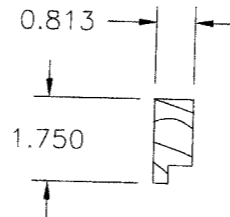
1 SILL SUBSTRATE



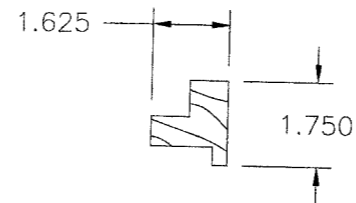
2 FRAME SILL
TYP. WALL THICKNESS 0.079



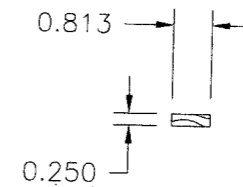
3 OUTSIDE GLAZING BLOCK



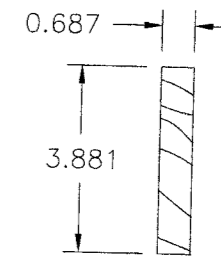
4 INSIDE GLAZING BLOCK



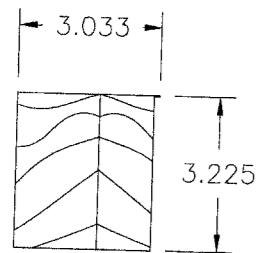
5 GLASS SETTING BLOCK



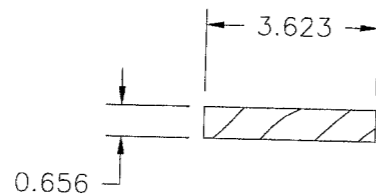
6 OUTSIDE HEAD CHANNEL TRIM



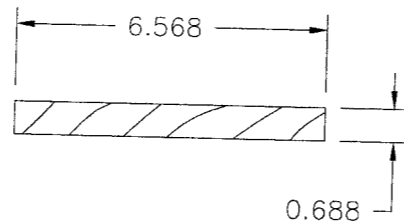
7 INSIDE HEAD CHANNEL TRIM



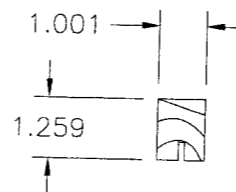
8 FRAME HEAD



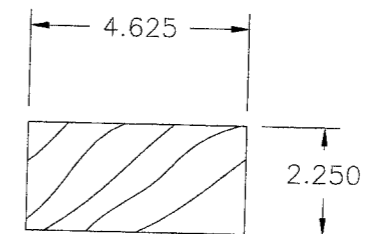
9 FRAME JAMB



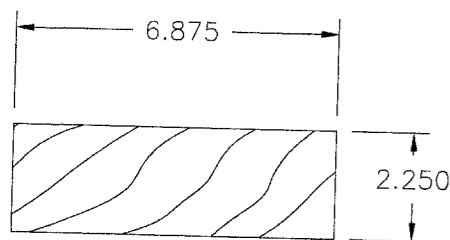
10 DOOR STOP



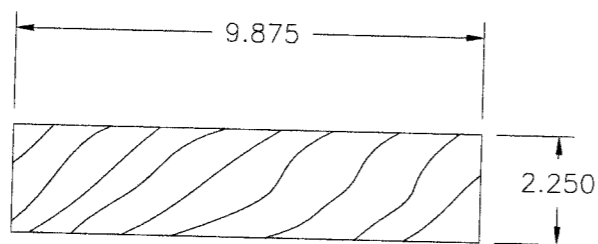
11 STILE



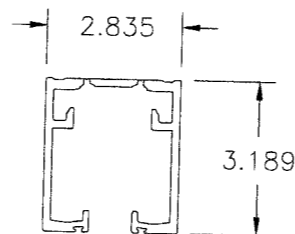
12 TOP RAIL



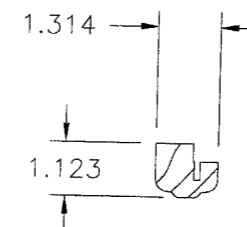
13 BOTTOM RAIL



14 HEAD TRACK
TYP. WALL THICKNESS 0.060



15 ASTRAGAL



Approved as complying with the
Florida Building Code
Date OCT 20, 2006
NOAH DS-1220-10
Miami Dade Product Control
Division
By Shag I. Chandy

A	PER MIAMI DADE MARKUPS 8/18/06	8/22/06	BB
SYM	REVISION	DATE	BY

L. Roberto Lomas
P.E. No. 62514
L. Roberto Lomas
9/13/06
PTC, LLC
1535 Cogswell Street, suite C25
Rockledge, Florida 32955
FBPE Certificate of Authorization NO. 25935

CENTOR NORTH AMERICA, INC.
1275 W. ROOSEVELT RD. WEST CHICAGO, IL 60185
TITLE: 1L3R FOLDING WOOD DOOR SYSTEM LARGE MISSILE IMPACT COMPONENTS

PREPARED BY:	DRN:	DATE:
PTC	BB	05/18/06
SCALE:	N.T.S.	DWG. NO:
		CTR001
REV:	A	SHEET:
		8 OF 8

Phone 321.690.1788 Fax 321.690.1789