



**BUILDING CODE COMPLIANCE OFFICE (BCCO)
PRODUCT CONTROL DIVISION**

**MIAMI-DADE COUNTY, FLORIDA
METRO-DADE FLAGLER BUILDING
140 WEST FLAGLER STREET, SUITE 1603
MIAMI, FLORIDA 33130-1563
(305) 375-2901 FAX (305) 372-6339**

NOTICE OF ACCEPTANCE (NOA)

www.miamidade.gov/buildingcode

**Industrial Millwork Corp.
880 US Highway # 36
Seneca, KS 66538**

SCOPE:

This NOA is being issued under the applicable rules and regulations governing the use of construction materials. The documentation submitted has been reviewed by Miami-Dade County Product Control Division and accepted by the Board of Rules and Appeals (BORA) to be used in Miami Dade County and other areas where allowed by the Authority Having Jurisdiction (AHJ).

This NOA shall not be valid after the expiration date stated below. The Miami-Dade County Product Control Division (In Miami Dade County) and/or the AHJ (in areas other than Miami Dade County) reserve the right to have this product or material tested for quality assurance purposes. If this product or material fails to perform in the accepted manner, the manufacturer will incur the expense of such testing and the AHJ may immediately revoke, modify, or suspend the use of such product or material within their jurisdiction. BORA reserves the right to revoke this acceptance, if it is determined by Miami-Dade County Product Control Division that this product or material fails to meet the requirements of the applicable building code. This product is approved as described herein, and has been designed to comply with the Florida Building Code, including the High Velocity Hurricane Zone.

DESCRIPTION: Direct Set Wood Fixed Window – L.M.I.

APPROVAL DOCUMENT: Drawing No. **LAG-1000**, titled "Direct Set Fixed Window", sheets 1 through 3 of 3, dated 5/19/09, with revision #1 dated 6/30/09, prepared by Bromley Cook Engineering, Inc., signed and sealed by William D. Cook, P.E., bearing the Miami-Dade County Product Control Revision stamp with the Notice of Acceptance number and expiration date by the Miami-Dade County Product Control Division.

MISSILE IMPACT RATING: Large and Small Missile Impact Resistant

LABELING: Each unit shall bear a permanent label with the manufacturer's name or logo, city, state and following statement: "Miami-Dade County Product Control Approved", unless otherwise noted herein.

RENEWAL of this NOA shall be considered after a renewal application has been filed and there has been no change in the applicable building code negatively affecting the performance of this product.

TERMINATION of this NOA will occur after the expiration date or if there has been a revision or change in the materials, use, and/or manufacture of the product or process. Misuse of this NOA as an endorsement of any product, for sales, advertising or any other purposes shall automatically terminate this NOA. Failure to comply with any section of this NOA shall be cause for termination and removal of NOA.

ADVERTISEMENT: The NOA number preceded by the words Miami-Dade County, Florida, and followed by the expiration date may be displayed in advertising literature. If any portion of the NOA is displayed, then it shall be done in its entirety.

INSPECTION: A copy of this entire NOA shall be provided to the user by the manufacturer or its distributors and shall be available for inspection at the job site at the request of the Building Official. This NOA **revises and renews** NOA # **04-0206.02** and consists of this page 1 and evidence pages E-1 and E-2, as well as approval document mentioned above.

The submitted documentation was reviewed by **Manuel Perez, P.E.**



**NOA No. 09-0528.04
Expiration Date: July 1, 2014
Approval Date: July 22, 2009
Page 1**

Industrial Millwork Corp.

NOTICE OF ACCEPTANCE: EVIDENCE SUBMITTED

A. DRAWINGS

1. Manufacturer's die drawings and sections.
2. Drawing No **LAG-1000**, Sheets 1 through 3 of 3, titled "Direct Set Fixed Window", dated 5/19/09 with revision #1 dated 6/30/09, prepared by Bromley Cook Engineering, Inc, signed and sealed by William D. Cook, P.E.

B. TESTS

1. Test reports on: 1) Air Infiltration Test, per FBC, TAS 202-94
2) Uniform Static Air Pressure Test, Loading per FBC TAS 202-94
3) Water Resistance Test, per FBC, TAS 202-94
4) Forced Entry Test, per FBC 3603.2 (b) and TAS 202-94
along with marked-up drawings and installation diagram of a rectangular fixed wood window, prepared by Hurricane Test Laboratory, Inc., Test Report No. **HTL-0210-0509-03, Specimen #1**, dated 4/30/03, and addendum letter dated 5/18/04, all signed and sealed by Vinu J. Abraham, P.E.
(Submitted under previous NOA#04-0206.02)
2. Test reports on: 1) Large Missile Impact Test per FBC, TAS 201-94
2) Cyclic Wind Pressure Loading per FBC, TAS 203-94
along with marked-up drawings and installation diagram of a rectangular fixed wood window, prepared by Hurricane Test Laboratory, Inc., Test Report No. **HTL-0210-0509-03, Specimen #2**, dated 4/30-5/1/03, and addendum letter dated 5/18/04, all signed and sealed by Vinu J. Abraham, P.E.
(Submitted under previous NOA#04-0206.02)
3. Test reports on: 1) Large Missile Impact Test per FBC, TAS 201-94
2) Cyclic Wind Pressure Loading per FBC, TAS 203-94
along with marked-up drawings and installation diagram of a rectangular fixed wood window, prepared by Hurricane Test Laboratory, Inc., Test Report No. **HTL-0210-0325-03, Specimen #2**, dated 3/24-25/03, and addendum letter dated 5/18/04, all signed and sealed by Vinu J. Abraham, P.E.
(Submitted under previous NOA#04-0206.02)
4. Test reports on: 1) Air Infiltration Test, per FBC, TAS 202-94
2) Uniform Static Air Pressure Test, Loading per FBC TAS 202-94
3) Water Resistance Test, per FBC, TAS 202-94
4) Forced Entry Test, per FBC 3603.2 (b) and TAS 202-94
along with marked-up drawings and installation diagram of a half round fixed wood window, prepared by Hurricane Test Laboratory, Inc., Test Report No. **HTL-0210-0325-03, Specimen #3**, dated 3/26/03, and addendum letter dated 5/18/04, all signed and sealed by Vinu J. Abraham, P.E.
(Submitted under previous NOA#04-0206.02)


Manuel Perez, P.E.
Product Control Examiner
NOA No. 09-0528.04

Expiration Date: July 1, 2014
Approval Date: July 22, 2009

Industrial Millwork Corp.

NOTICE OF ACCEPTANCE: EVIDENCE SUBMITTED

5. Test reports on: 1) Large Missile Impact Test per FBC, TAS 201-94
2) Cyclic Wind Pressure Loading per FBC, TAS 203-94
along with marked-up drawings and installation diagram of a rectangular fixed wood window, prepared by Hurricane Test Laboratory, Inc., Test Report No. **HTL-0210-0620-03, Specimen #1**, dated 6/9/03, and addendum letter dated 5/18/04, all signed and sealed by Vinu J. Abraham, P.E.
(Submitted under previous NOA#04-0206.02)
6. Test reports on: 1) Large Missile Impact Test per FBC, TAS 201-94
2) Cyclic Wind Pressure Loading per FBC, TAS 203-94
along with marked-up drawings and installation diagram of a "Springline" fixed wood window, prepared by Hurricane Test Laboratory, Inc., Test Report No. **HTL-0210-0620-03, Specimen #2**, dated 6/9/03, and addendum letter dated 5/18/04, all signed and sealed by Vinu J. Abraham, P.E.
(Submitted under previous NOA#04-0206.02)

C. CALCULATIONS

1. Anchor verification calculations and structural analysis, complying with FBC-2007, prepared by Bromley Cook Engineering, dated 07/31/08, signed and sealed by William D. Cook, P.E. **Complies with ASTM E1300-02/04**

D. QUALITY ASSURANCE

1. Miami Dade Building Code Compliance Office (BCCO).

E. MATERIAL CERTIFICATIONS

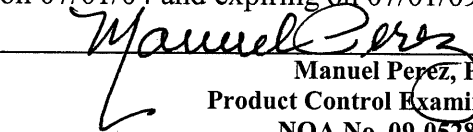
1. Notice of Acceptance No. **08-0709.04** issued to Glasslam N.G.I., Inc. for their "**Safety-Plus II Laminated Glass**" dated 09/11/08, expiring on 08/07/13.

F. STATEMENTS

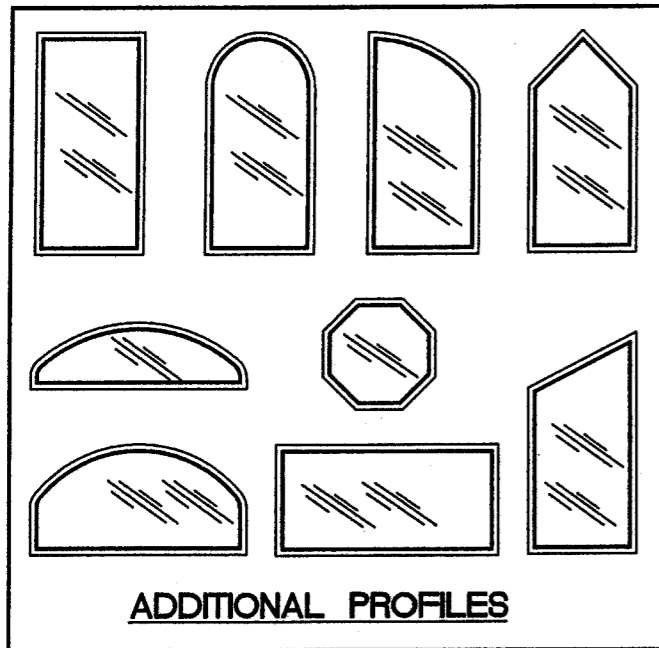
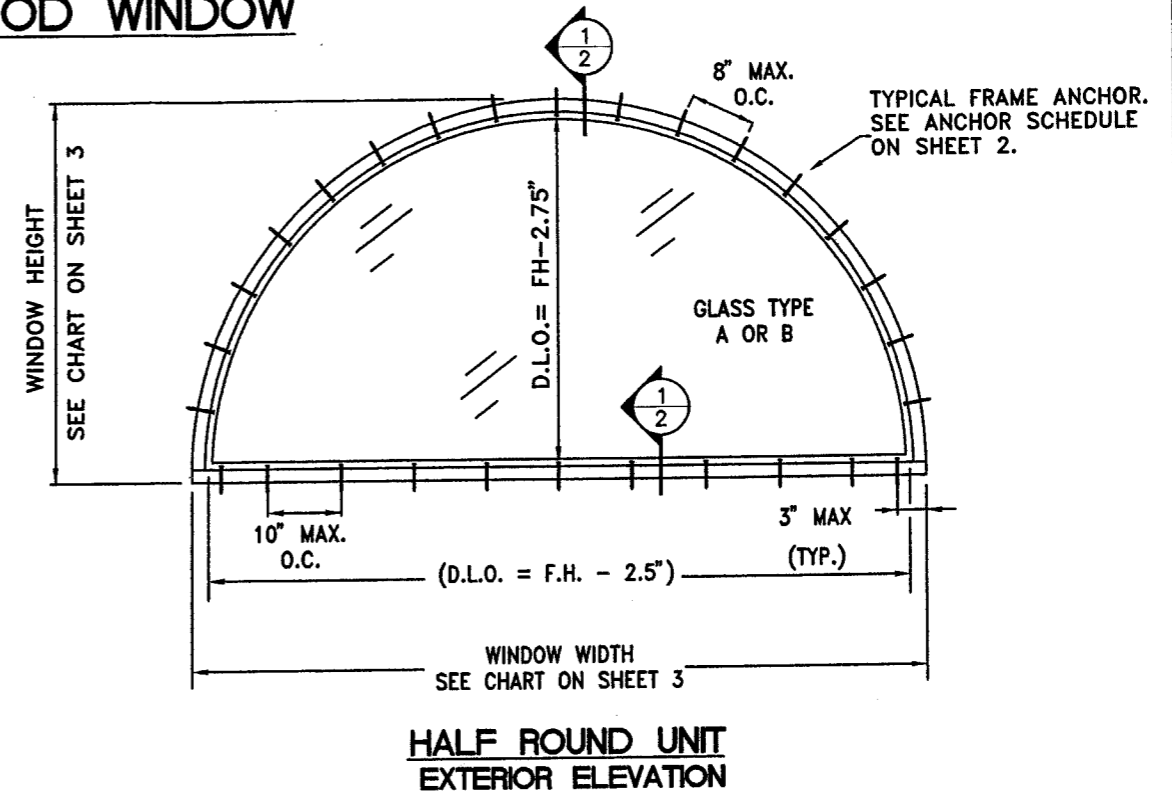
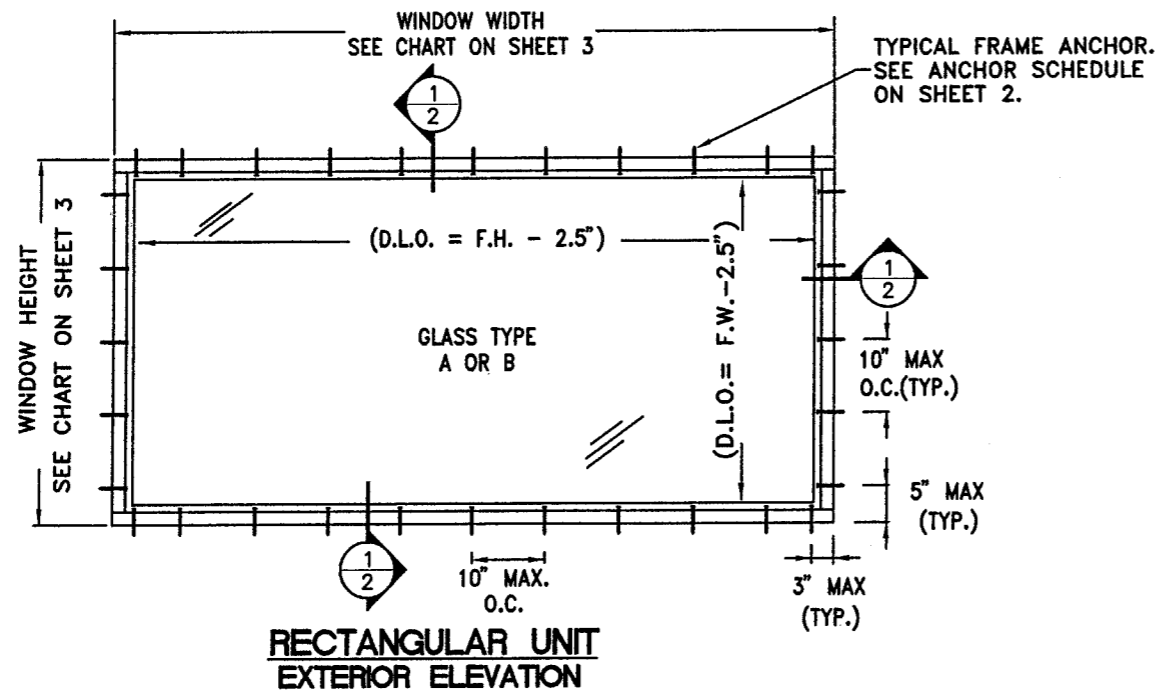
1. Statement letter of compliance, dated May 20, 2009, signed and sealed by William D. Cook, P.E.
2. Statement letter of no financial interest, dated January 28, 2004, signed and sealed by William D. Cook, P.E. *(Submitted under previous NOA#04-0206.02)*
3. Laboratory compliance letter for Test Reports No. **HTL-0210-0325-03 Specimen #2, HTL-0210-0509-03 Specimens #1 & #2 and HTL-0210-0620-03 Specimens #1 and 2**, issued by Hurricane Test Laboratory, Inc., dated December 11, 2003, signed and sealed by Vinu J. Abraham, P.E. *(Submitted under previous NOA#04-0206.02)*

G. OTHERS

1. Notice of Acceptance No. **04-0206.02**, issued to Industrial Millwork Corp. for their "Direct Set Wood Fixed Window", approved on 07/01/04 and expiring on 07/01/09.

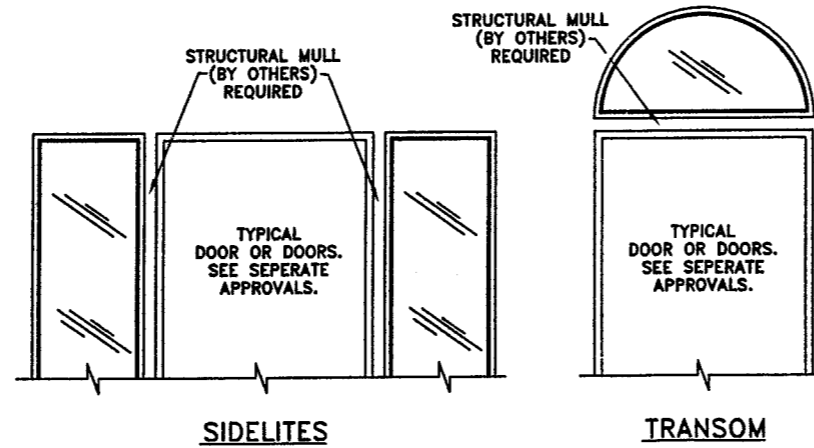

Manuel Perez, P.E.
Product Control Examiner
NOA No. 09-0528.04
Expiration Date: July 1, 2014
Approval Date: July 22, 2009

DIRECT SET FIXED WOOD WINDOW



SIMILAR PROFILES TO THOSE SHOWN IN THESE DRAWINGS MAY BE ACCEPTABLE, PROVIDING THEY MEET THE FOLLOWING:

- ALL DETAILS MATCH THOSE SHOWN ON THESE DRAWINGS.
- THE PROPOSED PROFILE FITS WITHIN THE MAXIMUM ALLOWABLE DIMENSIONS SHOWN ON THESE DRAWINGS.
- THE PROPOSED PROFILE PRESSURES DO NOT EXCEED THE ALLOWABLE PRESSURES INDICATED IN THE GLASS CHARTS.



GLAZING SCHEDULE (LARGE MISSILE IMPACT)			
TYPE A	7/16" LAMINATED "SAFETY-PLUS II" 3/16" ANNEALED WITH 0.1" RESIN W/PET FILM BY GLASS LAM-NGI INC. 3/16" ANNEALED		
TYPE B	7/16" LAMINATED "SAFETY-PLUS II" 3/16" TEMPERED WITH 0.1" RESIN W/PET FILM BY GLASS LAM-NGI INC. 3/16" TEMPERED		
SEE LOAD TABLES FOR ALLOWABLE WIND PRESSURES BASED ON WINDOW SIZE			
TYPE A	WATER TEST 8.25 psi	TYPE B	WATER TEST 10.5 psi

GENERAL NOTES:

- THIS WINDOW CONFORMS WITH THE FLORIDA BUILDING CODE 2007, AND THE HVHZ REGION.
- WINDOW SYSTEM TESTED IN ACCORANCE WITH METRO DADE COUNTY TAS-201, 202 & 203 FOR AIR, WATER, STRUCTURAL AND LARGE MISSILE IMPACT LOADS.
- MAXIMUM WIND PRESSURES SHALL NOT EXCEED THOSE SHOWN IN THE WIND LOAD CHARTS ON PAGE #3 FOR WINDOW HEIGHT AND WIDTH.
- PERIMETER BUCKS MUST BE DESIGNED BY PROFESSIONAL OF RECORD TO TRANSFER IMPOSED WIND LOADS TO THE STRUCTURE.
- HURRICANE IMPACT SHUTTERS ARE NOT REQUIRED.

PRODUCT REVISED as complying with the Florida Building Code
 Acceptance No. **09-0528.04**
 Expiration Date **JULY 1, 2014**
 By *Manuel Perez*
 Miami Dade Product Control Division

DATE	6-30-09	BY	VDC	REVISION DESCRIPTION	NO.
				COMPLETE SET REDRAWN FOR RENEWAL	1
					2
					3
					4

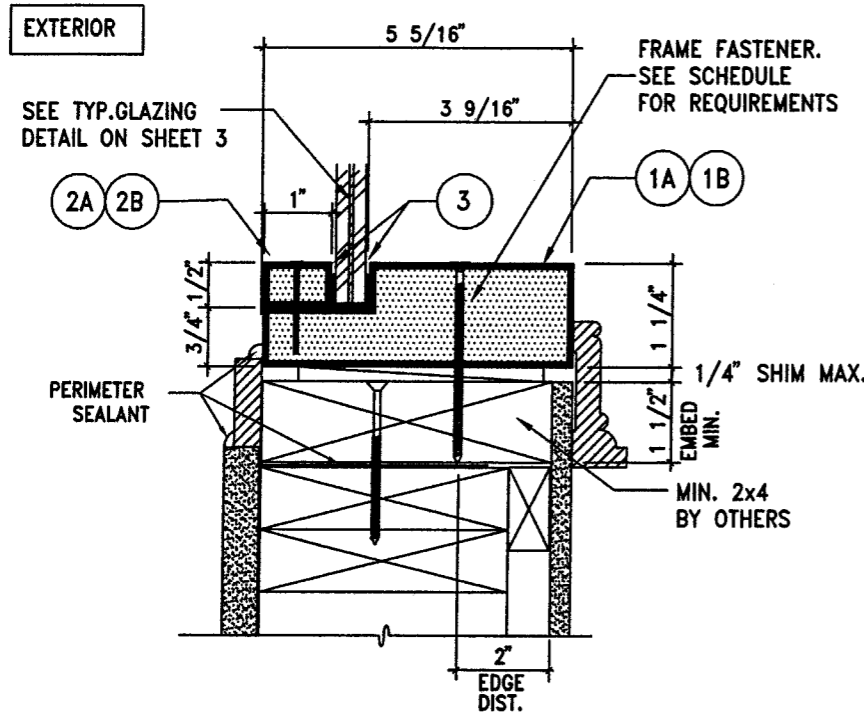
DIRECT SET FIXED WINDOW

LAG DESIGN
INDUSTRIAL MILLWORK CORP
 WEST HWY 36 SENECA, KS 66538
 (800) 462-3667

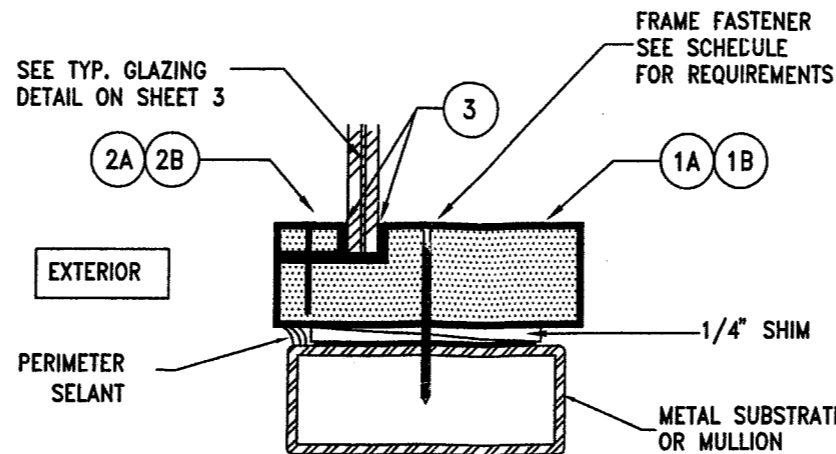
BROMLEY COOK ENGINEERING, INC.
 STRUCTURAL ENGINEERING SERVICES
 2004 N.E. 49th STREET
 FORT LAUDERDALE, FLORIDA 33308
 TEL: (954) 772-4624 FAX: (954) 772-4634

CERTIFICATION
 JUL 01 2009
 WILLIAM D. COOK P.E.
 FLA. P.E. # 43804
 FLA. S.I. 2008

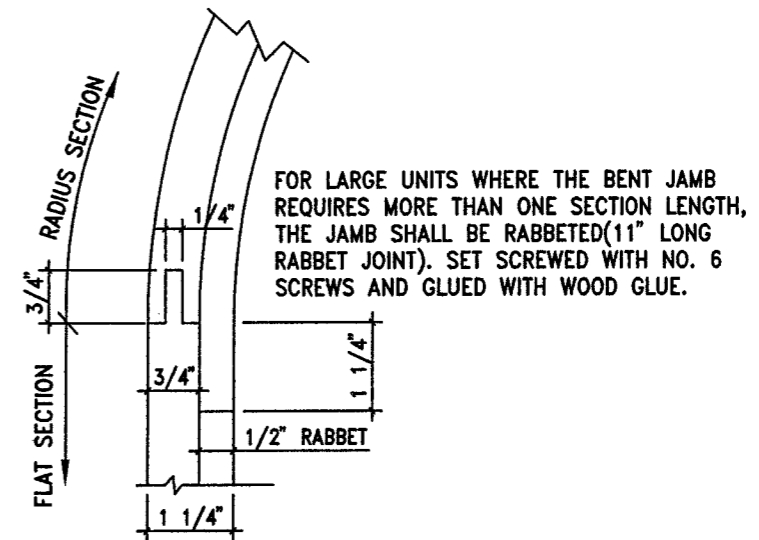
DATE: 5/19/09
 DRAWING NO: LAG-1000
 SHEET NO: 1 of 3



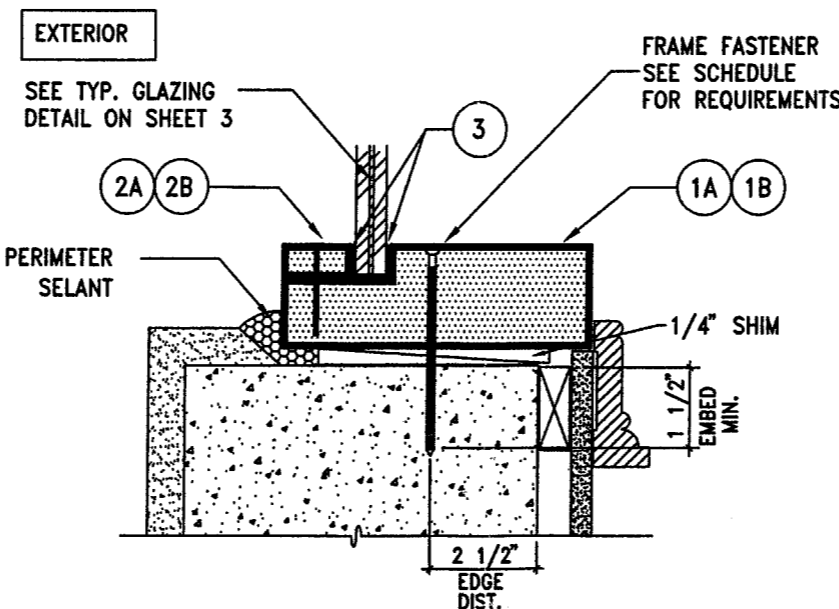
1 TYP. JAMB HEAD AND SILL SECTION
2 AT WOOD FRAME



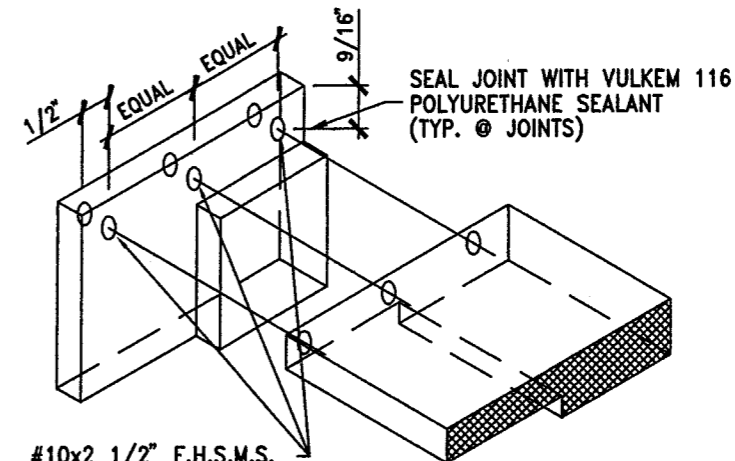
1 TYP. JAMB HEAD AND SILL SECTION
2 AT STRUCTURAL MULLION



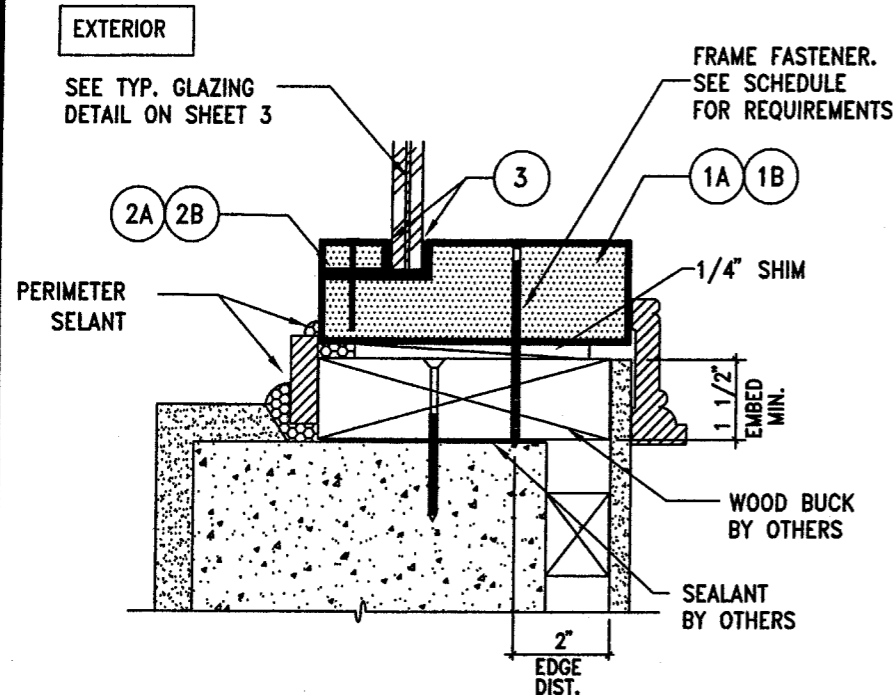
ALTERNATE JOINT CONSTRUCTION DETAIL
SINGLE RABBETED JAMB INTERSECTION AT SIDE
JAMB w/FULL RADIUS HEAD JAMB (N.T.S.)



1 TYP. JAMB HEAD AND SILL SECTION
2 AT CONCRETE DIRECT MOUNT



TYP. FRAME CORNER DETAIL
(ALL MEETING JAMB MEMBERS TO BE
SCREWED AT ALL CORNERS) (N.T.S.)



1 TYP. JAMB HEAD AND SILL SECTION
2 AT WOOD BUCK

ANCHOR SCHEDULE			
OPENING TYPE (SUBSTRATE)	FRAME ANCHOR REQUIREMENT TABLE		
	JAMB TO OPNG. FASTENER TYPE	MINIMUM EMBEDMENT	MINIMUM EDGE DISTANCE
2x WOOD BUCK	#12 WOOD SCREWS	1 1/2"	2"
CMU/CONCRETE	1/4"Ø TAP-CON	1 1/2"	2 1/2"
STEEL/ALUMINUM 1/8" THK.	#12 S.M.S.	-	-

NOTE: SPECIFIED ANCHOR EMBEDMENT SHALL BE INTO BASE MATERIAL BEYOND WALL FINISH OR STUCCO.

NO.	REVISION DESCRIPTION	BY	DATE
1	COMPLETE SET DRAWN FOR RENEWAL	WDC	6-30-09
2			
3			
4			

DIRECT SET FIXED WINDOW
LAG DESIGN
INDUSTRIAL MILLWORK CORP
WEST HWY 36 SENECA, KS 66538
(800)462-3667

BROMLEY COOK ENGINEERING, INC.
STRUCTURAL ENGINEERING SERVICES
2004 N.E. 49th STREET
FORT LAUDERDALE, FLORIDA 33308
TEL: (954) 772-4624 FAX: (954) 772-4634

CERTIFICATION
JUL 01 2009
WILLIAM D. COOK P.E.
FLA. P.E. # 43904
FLA. S.I. 2008

DATE: 5/19/09
DRAWING NO: LAG-1000
SHEET NO: 2 of 3

PRODUCT REVISED as complying with the Florida Building Code
Acceptance No. 09-0528.04
Expiration Date JULY 1, 2014
By *Mamee*
Miami Dade Product Control Division

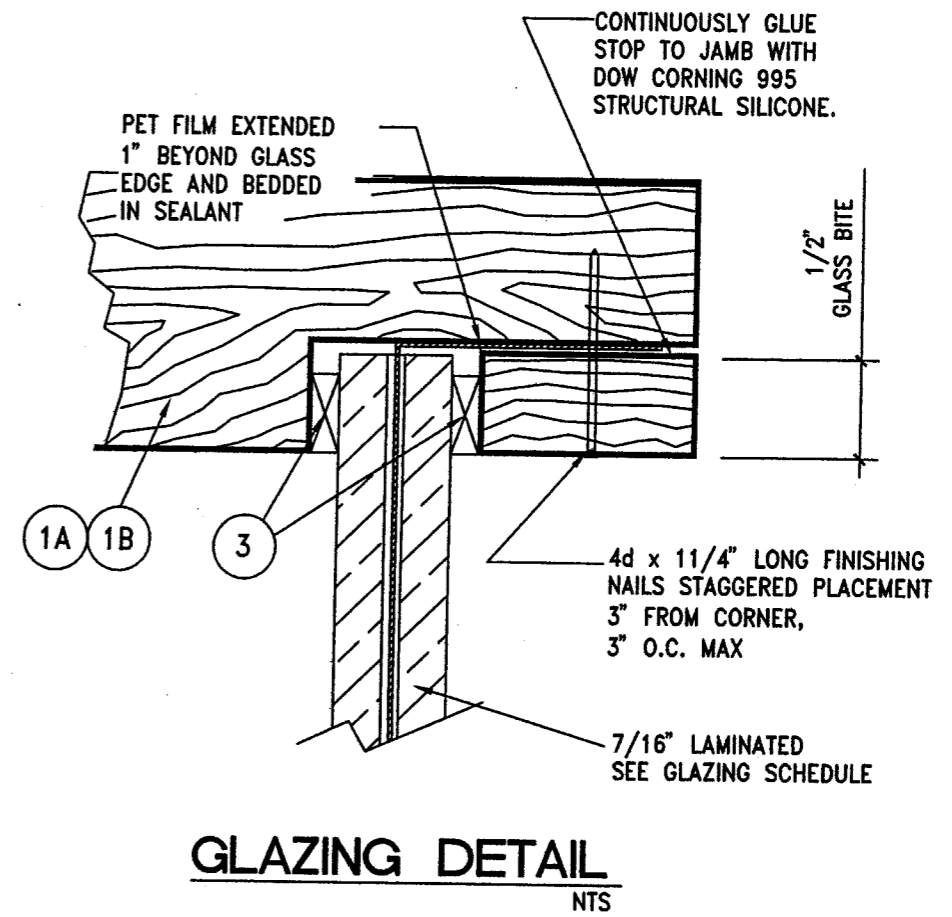
ALLOWABLE DESIGN LOADS FOR IMPACT WINDOWS					
MODULAR WINDOW SIZE		GLASS TYPE A		GLASS TYPE B	
WIDTH	HEIGHT	EXT(+)	EXT(-)	EXT(+)	EXT(-)
24	24	55	55	70	70
30		55	55	70	70
36		55	55	70	70
42		55	55	70	70
48		55	55	70	70
54		55	55	70	70
60		55	55	70	70
66		55	55	70	70
72		55	55	70	70
78		55	55	70	70
84		55	55	70	70
90		55	55	70	70
96	55	55	70	70	
102	55	55	70	70	
108	55	55	70	70	
114	55	55	70	70	
120	55	55	70	70	
24	30	55	55	70	70
30		55	55	70	70
36		55	55	70	70
42		55	55	70	70
48		55	55	70	70
54		55	55	70	70
60		55	55	70	70
66		55	55	70	70
72		55	55	70	70
78		55	55	70	70
84		55	55	70	70
90		55	55	70	70
96	55	55	70	70	
102	55	55	70	70	
108	55	55	70	70	
114	55	55	70	70	
120	55	55	70	70	
24	36	55	55	70	70
30		55	55	70	70
36		55	55	70	70
42		55	55	70	70
48		55	55	70	70
54		55	55	70	70
60		55	55	70	70
66		55	55	70	70
72		55	55	70	70
78		55	55	70	70
84		55	55	70	70
90		55	55	70	70
96	55	55	70	70	
102	55	55	70	70	
108	55	55	70	70	
114	55	55	70	70	
120	55	55	70	70	

ALLOWABLE DESIGN LOADS FOR IMPACT WINDOWS					
MODULAR WINDOW SIZE		GLASS TYPE A		GLASS TYPE B	
WIDTH	HEIGHT	EXT(+)	EXT(-)	EXT(+)	EXT(-)
24	42	55	55	70	70
30		55	55	70	70
36		55	55	70	70
42		55	55	70	70
48		55	55	70	70
54		55	55	70	70
60		55	55	70	70
66		55	55	70	70
72		55	55	70	70
78		55	55	70	70
84		55	55	70	70
90		55	55	70	70
96	55	55	70	70	
102	55	55	70	70	
108	55	55	70	70	
114	53.9	53.9	70	70	
120	52.2	52.2	70	70	
24	48	55	55	70	70
30		55	55	70	70
36		55	55	70	70
42		55	55	70	70
48		55	55	70	70
54		55	55	70	70
60		55	55	70	70
66		55	55	70	70
72		55	55	70	70
78		55	55	70	70
84		55	55	70	70
90		55	55	70	70
96	55	55	70	70	
24	54	55	55	70	70
30		55	55	70	70
36		55	55	70	70
42		55	55	70	70
48		55	55	70	70
54		55	55	70	70
60		55	55	70	70
66		55	55	70	70
72		55	55	70	70
78		55	55	70	70
84		55	55	70	70
90		55	55	70	70
96	55	55	70	70	
24	60	55	55	70	70
30		55	55	70	70
36		55	55	70	70
42		55	55	70	70
48		55	55	70	70
54		55	55	70	70
60		55	55	70	70
66		55	55	70	70
72		55	55	70	70
78		55	55	70	70
84		55	55	70	70
90		55	55	70	70
96	55	55	70	70	
102	55	55	70	70	
108	55	55	70	70	
114	55	55	70	70	
120	55	55	70	70	

ALLOWABLE DESIGN LOADS FOR IMPACT WINDOWS						
MODULAR WINDOW SIZE		GLASS TYPE A		GLASS TYPE B		
WIDTH	HEIGHT	EXT(+)	EXT(-)	EXT(+)	EXT(-)	
24	66	55	55	70	70	
30		55	55	70	70	
36		55	55	70	70	
42		55	55	70	70	
48		55	55	70	70	
54		55	55	70	70	
60		55	55	70	70	
66		55	55	70	70	
24		72	55	55	70	70
30			55	55	70	70
36			55	55	70	70
42			55	55	70	70
48	55		55	70	70	
54	55		55	70	70	
60	55		55	70	70	
24	78		55	55	70	70
30			55	55	70	70
36			55	55	70	70
42			55	55	70	70
48			55	55	70	70
54		55	55	70	70	
24		84	55	55	70	70
30			55	55	70	70
36			55	55	70	70
42			55	55	70	70
48			55	55	70	70
54			55	55	70	70
24	90		55	55	70	70
30			55	55	70	70
36			55	55	70	70
42			55	55	70	70
48			55	55	70	70
54			55	55	70	70
24		96	55	55	70	70
30			55	55	70	70
36			55	55	70	70
42			55	55	70	70
48			55	55	70	70
54			55	55	70	70
24	102		55	55	70	70
30			55	55	70	70
36			55	55	70	70
42			55	55	70	70
48			55	55	70	70
54			55	55	70	70
24		108	55	55	70	70
30			55	55	70	70
36			55	55	70	70
42			55	55	70	70
48			55	55	70	70
54			55	55	70	70
24	114		55	55	70	70
30			55	55	70	70
36			55	55	70	70
42			55	55	70	70
48			55	55	70	70
54			55	55	70	70
24		120	55	55	70	70
30			55	55	70	70
36			55	55	70	70
42			55	55	70	70
48			55	55	70	70
54			55	55	70	70

MATERIAL LIST		
ITEM #	DESCRIPTION	NOTES
1A	STRAIGHT WINDOW JAMB	*WOOD
1B	RADIUS JAMB	LVL
2A	STOP (STRAIGHT JAMB)	*WOOD
2B	STOP (RADIUS JAMB)	LVL
3	1/16" x 3/8" DOUBLE FACED GLAZING TAPE	NORTON

* WOOD USED WITH TEST WAS GRADE 2 MAHOGONY. WOOD SPECIES TO BE APPLICABLE WITH THESE WINDOWS IS MIN. GRADE 2 MAHOGANY, OR ANY WOOD STRONGER.



GLAZING DETAIL
NTS

TESTED FRAME SIZE: 49.5" X 98.5" @ +/- 70 PSF (TEMPERED)
 TESTED FRAME SIZE: 49.5" X 98.5" @ +/- 55 PSF (ANNEALED)
 GLASS CHECKED PER ASTM 1300-02/04

PRODUCT REVISED
 as complying with the Florida
 Building Code
 Acceptance No. **09-0528-04**
 Expiration Date **JULY 1, 2014**
 By *Manuel Perez*
 Miami Code Product Control
 Division

DATE	6-30-09
BY	WDC
REVISION DESCRIPTION	COMPLETE SET REDRAWN FOR RENEWAL
NO.	1 2 3 4
DIRECT SET FIXED WINDOW	
LAG DESIGN	
INDUSTRIAL MILLWORK CORP	
WEST HWAY 36 SENECA, KS 66538	
(800)462-3667	
BROMLEY COOK ENGINEERING, INC.	
STRUCTURAL ENGINEERING SERVICES	
2004 N.E. 49th STREET	
FORT LAUDERDALE, FLORIDA 33308	
TEL: (954) 772-4824 FAX: (954) 772-4834	
CERTIFICATION	JUL 01 2009
DATE	5/19/09
DRAWING NO.	LAG-1000
SHEET NO.	3 of 3